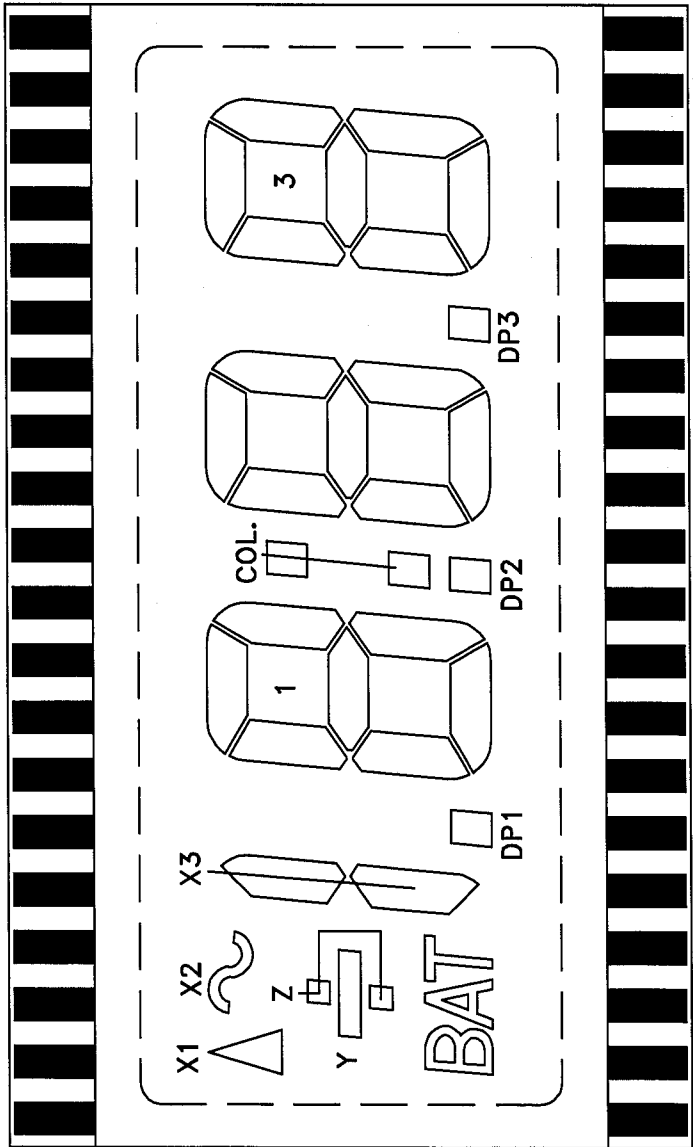


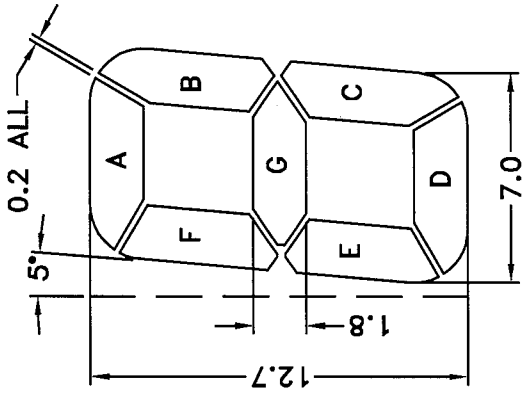
MECHANICAL TOL. ±0.2 UNLESS SPECIFIED

APPROVAL	COUNTER DRAWING	CUSTOMER REF.	REV.	DATE
	STANDARD		00	23-MAY-14
APPROVED BY				
DATE				
SHEET 1 OF 2				
SCALE 2 : 1				

APPROVAL	DRAFTING	CUSTOMER-SERVICE	ENGINEERING
	Y.WEN	SUMAYA	Y.WEN
DATE	23 May. 14	DATE	23 May 2014
DRAWN BY : X.T.CHUI		UNIT IN (mm)	OUR REF. 00
PROJECTION		V5096	
PROJECTION		CLOVER DISPLAY LIMITED	



PIN	COM	PIN	COM	PIN	COM
1	COM	15	2C	28	COL.
2	Y	16	DP3	29	1B
3	X3	17	3E	30	1A
4	/	18	3D	31	1F
5	/	19	3C	32	1G
6	/	20	3B	33	/
7	/	21	3A	34	/
8	DP1	22	3F	35	/
9	1E	23	3G	36	/
10	1D	24	2B	37	X2
11	1C	25	2A	38	X1
12	DP2	26	2F	39	Z
13	2E	27	2G	40	BAT
14	2D				



SCALE 4 : 1

EBTN TYPE	
MODEL NO.	V5096D V5096H
VIEWING DIRECTION	6 O'CLOCK 12 O'CLOCK
TEMPERATURE OPERATE RANGE	-20°C ~ 70°C -20°C ~ 70°C
STORAGE	-30°C ~ 80°C -30°C ~ 80°C
CONNECTOR	PIN PIN
DISPLAY TYPE	NEGATIVE TRANSMISSIVE
OPERATION VOLTAGE	3.0 V
DRIVING METHOD	STATIC

REV.	REVISION RECORD	DATE	STANDARD	PROJECTION	APPROVAL	DRAFTING	CUSTOMER-SERVICE	ENGINEERING
00	1st ISSUE	23-MAY-14	CUSTOMER REF.		APPROVED BY Y.WEN	Y.WEN	Customer Service	Engineering
			SHEET 2 OF 2		DATE 23 May, 14		23 May 2014	
			SCALE 3 : 1		DRAWN BY : X.T.CHUI		UNIT IN mm	OUR REF. 00
				V5096				
				CLOVER DISPLAY LIMITED				