



**CLOVER DISPLAY LTD.**

## LCD MODULE SPECIFICATION

**Model : CV4242A - \_ \_ - \_ \_ - \_ \_ - \_**

Revision	02
Engineering	Timmy Kwan
Date	22 May 2008
Our Reference	4946

ADDRESS : 1<sup>st</sup> FLOOR, EFFICIENCY HOUSE, 35 TAI YAU STREET, SAN PO KONG,  
KOWLOON, HONG KONG.

TEL : (852) 2341 3238 (SALES OFFICE) (852) 2342 8228 (GENERAL OFFICE)

FAX : (852) 2357 4237 (SALES OFFICE)

E-MAIL : [cdl@cloverdisplay.com](mailto:cdl@cloverdisplay.com)

URL : <http://www.cloverdisplay.com>

**MODE OF DISPLAY****Display mode**

- TN positive  
 TN negative  
 STN :  Yellow green  
        Grey  
        Blue (negative)  
 FSTN positive  
 FSTN negative

**Display condition**

- Reflective type  
 Transflective type  
 Transmissive type  
 Others

**Viewing direction**

- 6 O' clock  
 12 O' clock  
 3 O' clock  
 9 O' clock

**LCD MODULE NUMBER NOTATION:****CV4242A- M Y - S F - N 6 - T**

(1)	(2)	(3)	(4)	(5)	(6)	(7)	(8)

\*(1)---Model number of standard LCD Modules

\*(2)---Backlight type

- N – No backlight  
 E – EL backlight  
 L – Side-lited LED backlight  
 M– Array LED backlight  
 C – CCFL

\*(3)---Backlight color

- N – No backlight  
 A – Amber  
 B – Blue  
 O– Orange  
 W–White  
 Y – Yellow green

\*(4)---Display mode

- T – TN  
 V – TN (Negative)  
 S – STN Yellow green  
 G – STN Grey  
 B – STN Blue (Negative)  
 F – FSTN  
 N – FSTN (Negative)

\*(5)---Rear polarizer type

- R – Reflective  
 F – Transflective  
 T – Transmissive

\*(6)---Temperature range

- N – Normal  
 W– Extended

\*(7)---Viewing direction

- 6 – 6 O'clock  
 2 – 12 O'clock  
 3 – 3 O'clock  
 9 – 9 O'clock

\*(8)---Special code for other requirements

(Can be omitted if not used)

- T – Touch panel (Analog)  
 P – Touch panel (Digital)

**GENERAL DESCRIPTION**

Display mode : 24 characters x 2 lines COB LCD module  
 Interface : 4-bit or 8-bit parallel  
 Driving method : 1/16 duty, 1/5 bias  
 Controller IC : Sitronix ST7066U or equivalent  
 For the detailed information, please refer to the IC specifications.

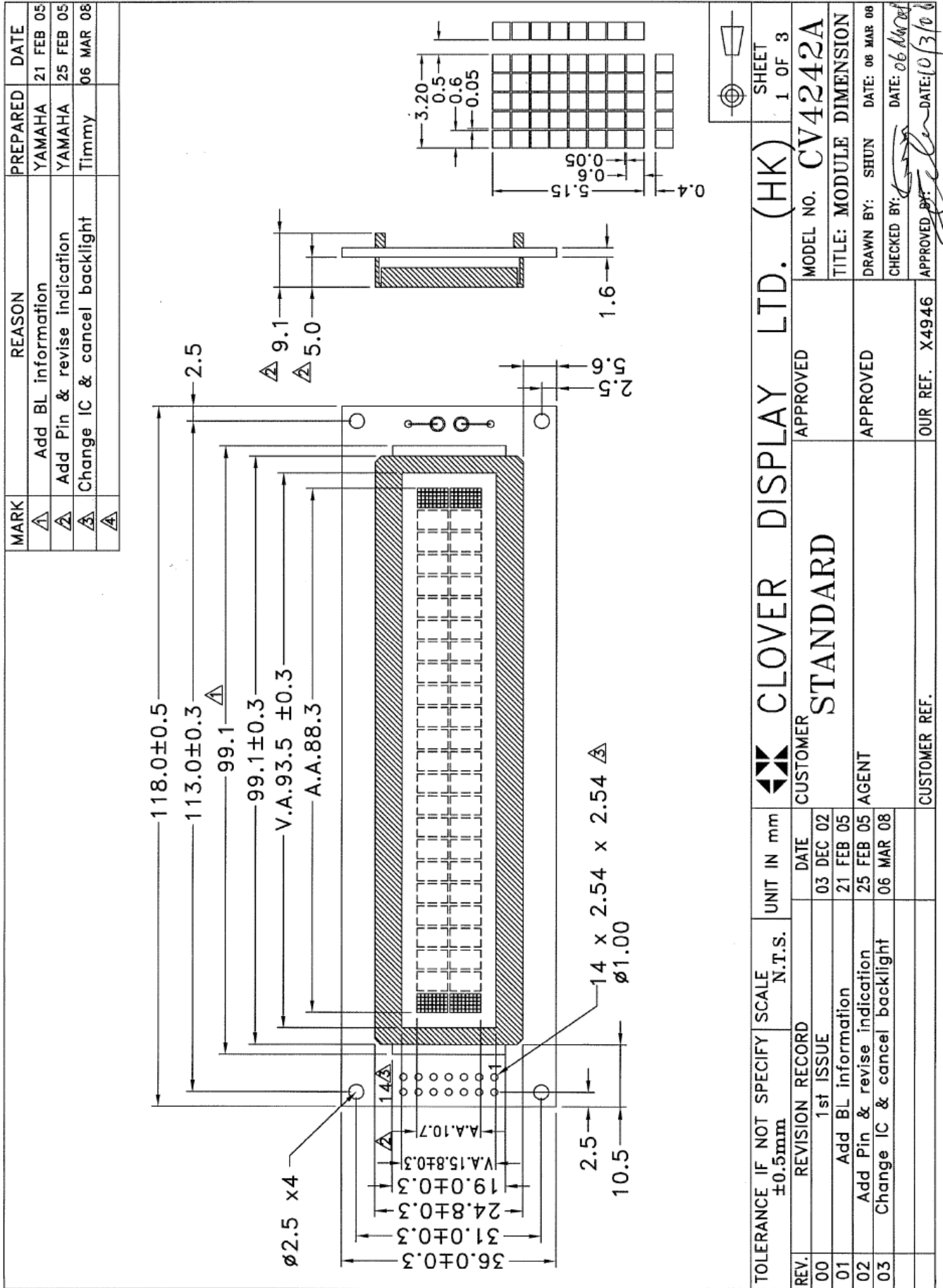
**MECHANICAL DIMENSIONS**

Item	Dimension		Unit	Item	Dimension		Unit
Outline Dimension	118.0(L)x36.0(W)x(H1/H2)		mm	Character Pitch	3.70(L)x5.55(W)		mm
Viewing Area	93.5(L)x15.8(W)		mm	Dot Size	0.60(L)x0.60(W)		mm
Character Size	3.20(L)x5.15(W)		mm	—	—		—
No Backlight (N)	H1	5.0	mm	Side Backlight (L)	H1	—	mm
	H2	9.1	mm		H2	—	mm
EL Backlight (E)	H1	—	mm	Array Backlight (M)	H1	—	mm
	H2	—	mm		H2	—	mm

**CONNECTOR PIN ASSIGNMENT**

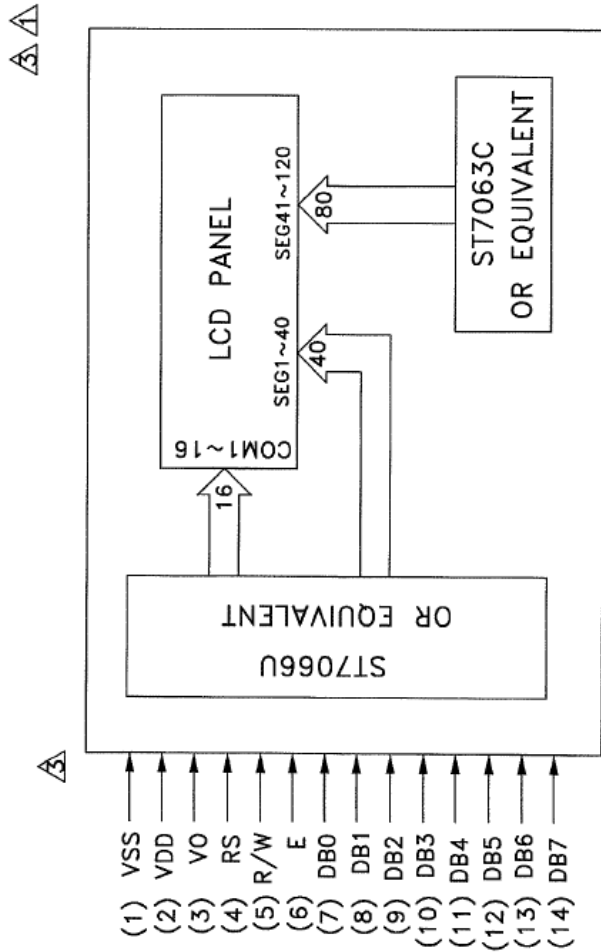
Pin No.	Symbol	Function	Pin No.	Symbol	Function
1	VSS	Ground	9	DB2	Data Bus Line
2	VDD	Supply voltage for logic	10	DB3	Data Bus Line
3	V0	Input voltage for LCD	11	DB4	Data Bus Line
4	RS	Register Select Input	12	DB5	Data Bus Line
5	R/W	Read/Write	13	DB6	Data Bus Line
6	E	Enable Signal	14	DB7	Data Bus Line
7	DB0	Data Bus Line	—	—	—
8	DB1	Data Bus Line	—	—	—

COUNTER DRAWING OF MODULE DIMENSION



COUNTER DRAWING OF PIN OUT & BLOCK DIAGRAM

PIN NUMBER	SYMBOL	FUNCTION
1	VSS	Ground
2	VDD	Supply Voltage for Logic
3	V0	Input Voltage for LCD
4	RS	Register Select Input
5	R/W	Read/Write
6	E	Enable Signal
7	DB0	Data Bus Line
8	DB1	
9	DB2	
10	DB3	
11	DB4	
12	DB5	
13	DB6	
14	DB7	



TOLERANCE IF NOT SPECIFY ±0.5mm		SCALE N.T.S.	UNIT IN mm	CLOVER DISPLAY LTD. (HK)		SHEET 2 OF 3
REV.	REVISION RECORD	DATE	DATE	CUSTOMER	APPROVED	MODEL NO. CV4242A
00	1st ISSUE	03 DEC 02	21 FEB 05	STANDARD		TITLE: PIN OUT & BLOCK DIAGRAM
01	Add BL information	25 FEB 05	06 MAR 08	AGENT	APPROVED	DRAWN BY: SHUN DATE: 06 MAR 08
02	Add Pin & revise indication					CHECKED BY: <i>[Signature]</i> DATE: 06 MAR 08
03	Change IC & cancel backlight					APPROVED BY: <i>[Signature]</i> DATE: 10/3/08
				CUSTOMER REF.	OUR REF. 4946	

**ELECTRICAL CHARACTERISTICS**

Conditions: VSS=0V, @Ta=25°C

Item	Symbol	MIN.	TYP.	MAX.	Unit	Item	Symbol	MIN.	TYP.	MAX.	Unit
Supply Voltage	VDD	4.75	5.00	5.25	V	“H”Level Input Voltage	V <sub>IH</sub>	0.7VDD	—	VDD	V
Supply Current	IDD	—	1.20	2.22	mA	“L”Level Input Voltage	V <sub>IL</sub>	-0.3	—	0.6	V
Input Voltage for LCD	VO	0.3	0.5	0.7	V	—	—	—	—	—	—
<b>Backlight Voltage</b>						<b>Backlight Current</b>					
EL (@ Frequency 400Hz)	VEL	—	—	—	V <sub>rms</sub>	—	—	—	—	—	—
<b>Side-lited LED</b>						<b>Side-lited LED</b>					
White	VBL	—	—	—	V	White	IBL	—	—	—	mA
Blue	VBL	—	—	—	V	Blue	IBL	—	—	—	mA
Yellow Green	VBL	—	—	—	V	Yellow Green	IBL	—	—	—	mA
<b>Array LED</b>						<b>Array LED</b>					
Yellow Green	VBL	—	—	—	V	Yellow Green	IBL	—	—	—	mA
Amber	VBL	—	—	—	V	Amber	IBL	—	—	—	mA
Orange	VBL	—	—	—	V	Orange	IBL	—	—	—	mA
Red	VBL	—	—	—	V	Red	IBL	—	—	—	mA

**ABSOLUTE MAXIMUM RATINGS**

Please make sure not to exceed the following maximum rating values under the worst application conditions

Item	Symbol	Rating (for normal temperature)	Rating (for wide temperature)	Unit
Supply Voltage	VDD	-0.3 to 7	-0.3 to 7	V
Input Voltage	V <sub>T</sub>	-0.3 to VDD+0.3	-0.3 to VDD +0.3	V
Operating Temperature	T <sub>opr</sub>	0 to 50	-20 to 70	°C
Storage Temperature	T <sub>stg</sub>	-10 to 60	-30 to 80	°C

## INSTRUCTIONS

Instruction	Instruction Code										Description	Description Time (270KHz)	
	RS	R/W	DB7	DB6	DB5	DB4	DB3	DB2	DB1	DB0			
Clear Display	0	0	0	0	0	0	0	0	0	0	1	Write "20H" to DDRAM. and set DDRAM address to "00H" from AC	1.52 ms
Return Home	0	0	0	0	0	0	0	0	0	1	x	Set DDRAM address to "00H" from AC and return cursor to its original position if shifted. The contents of DDRAM are not changed.	1.52 ms
Entry Mode Set	0	0	0	0	0	0	0	0	1	I/D	S	Sets cursor move direction and specifies display shift. These operations are performed during data write and read.	37 us
Display ON/OFF	0	0	0	0	0	0	0	1	D	C	B	D=1:entire display on C=1:cursor on B=1:cursor position on	37 us
Cursor or Display Shift	0	0	0	0	0	0	1	S/C	R/L	x	x	Set cursor moving and display shift control bit, and the direction, without changing DDRAM data.	37 us
Function Set	0	0	0	0	0	1	DL	N	F	x	x	DL:interface data is 8/4 bits N:number of line is 2/1 F:font size is 5x11/5x8	37 us
Set CGRAM address	0	0	0	1	AC5	AC4	AC3	AC2	AC1	AC0		Set CGRAM address in address counter	37 us
Set DDRAM address	0	0	1	AC6	AC5	AC4	AC3	AC2	AC1	AC0		Set DDRAM address in address counter	37 us
Read Busy flag and address	0	1	BF	AC6	AC5	AC4	AC3	AC2	AC1	AC0		Whether during internal operation or not can be known by reading BF. The contents of address counter can also be read.	0 us
Write data to RAM	1	0	D7	D6	D5	D4	D3	D2	D1	D0		Write data into internal RAM (DDRAM/CGRAM)	37 us
Read data from RAM	1	1	D7	D6	D5	D4	D3	D2	D1	D0		Read data from internal RAM (DDRAM/CGRAM)	37 us

## Note:

Be sure the ST7066U is not in the busy state (BF = 0) before sending an instruction from the MPU to the ST7066U. If an instruction is sent without checking the busy flag, the time between the first instruction and next instruction will take much longer than the instruction time itself. Refer to Instruction Table for the list of each instruction execution time.

## FUNCTION DESCRIPTION

- **Clear Display**

	RS	RW	DB7	DB6	DB5	DB4	DB3	DB2	DB1	DB0
Code	0	0	0	0	0	0	0	0	0	1

Clear all the display data by writing "20H" (space code) to all DDRAM address, and set DDRAM address to "00H" into AC (address counter). Return cursor to the original status, namely, bring the cursor to the left edge on first line of the display. Make entry mode increment (I/D = "1").

- **Return Home**

	RS	RW	DB7	DB6	DB5	DB4	DB3	DB2	DB1	DB0
Code	0	0	0	0	0	0	0	0	1	x

Return Home is cursor return home instruction. Set DDRAM address to "00H" into the address counter. Return cursor to its original site and return display to its original status, if shifted. Contents of DDRAM does not change.

- **Entry Mode Set**

	RS	RW	DB7	DB6	DB5	DB4	DB3	DB2	DB1	DB0
Code	0	0	0	0	0	0	0	1	I/D	S

Set the moving direction of cursor and display.

- **I/D : Increment / decrement of DDRAM address (cursor or blink)**  
When I/D = "High", cursor/blink moves to right and DDRAM address is increased by 1.  
When I/D = "Low", cursor/blink moves to left and DDRAM address is decreased by 1.  
\* CGRAM operates the same as DDRAM, when read from or write to CGRAM.
- **S: Shift of entire display**  
When DDRAM read (CGRAM read/write) operation or S = "Low", shift of entire display is not performed. If S = "High" and DDRAM write operation, shift of entire display is performed according to I/D value (I/D = "1" : shift left, I/D = "0" : shift right).

S	I/D	Description
H	H	Shift the display to the left
H	L	Shift the display to the right



## FUNCTION DESCRIPTION(CONT.)

## ● Display ON/OFF

	RS	RW	DB7	DB6	DB5	DB4	DB3	DB2	DB1	DB0
Code	0	0	0	0	0	0	1	D	C	B

Control display/cursor/blink ON/OFF 1 bit register.

- **D : Display ON/OFF control bit**  
When D = "High", entire display is turned on.  
When D = "Low", display is turned off, but display data is remained in DDRAM.
- **C : Cursor ON/OFF control bit**  
When C = "High", cursor is turned on.  
When C = "Low", cursor is disappeared in current display, but I/D register remains its data.
- **B : Cursor Blink ON/OFF control bit**  
When B = "High", cursor blink is on, that performs alternate between all the high data and display character at the cursor position.  
When B = "Low", blink is off.

## ● Cursor or Display Shift

	RS	RW	DB7	DB6	DB5	DB4	DB3	DB2	DB1	DB0
Code	0	0	0	0	0	1	S/C	R/L	x	x

Without writing or reading of display data, shift right/left cursor position or display. This instruction is used to correct or search display data. During 2-line mode display, cursor moves to the 2nd line after 40th digit of 1st line. Note that display shift is performed simultaneously in all the line. When displayed data is shifted repeatedly, each line shifted individually. When display shift is performed, the contents of address counter are not changed.

S/C	R/L	Description	AC Value
L	L	Shift cursor to the left	AC=AC-1
L	H	Shift cursor to the right	AC=AC+1
H	L	Shift display to the left. Cursor follows the display shift	AC=AC
H	H	Shift display to the right. Cursor follows the display shift	AC=AC

## ● Function Set

	RS	RW	DB7	DB6	DB5	DB4	DB3	DB2	DB1	DB0
Code	0	0	0	0	1	DL	N	F	x	x

**FUNCTION DESCRIPTION(CONT.)**

- **DL : Interface data length control bit**  
When DL = "High", it means 8-bit bus mode with MPU.  
When DL = "Low", it means 4-bit bus mode with MPU. So to speak, DL is a signal to select 8-bit or 4-bit bus mode.  
When 4-bit bus mode, it needs to transfer 4-bit data by two times.
- **N : Display line number control bit**  
When N = "Low", it means 1-line display mode.  
When N = "High", 2-line display mode is set.
- **F : Display font type control bit**  
When F = "Low", it means 5 x 8 dots format display mode  
When F = "High", 5 x11 dots format display mode.

N	F	No. of Display Lines	Character Font	Duty Factor
L	L	1	5x8	1/8
L	H	1	5x11	1/11
H	x	2	5x8	1/16

- **Set CGRAM Address**

	RS	RW	DB7	DB6	DB5	DB4	DB3	DB2	DB1	DB0
Code	0	0	0	1	AC5	AC4	AC3	AC2	AC1	AC0

Set CGRAM address to AC.

This instruction makes CGRAM data available from MPU.

- **Set DDRAM Address**

	RS	RW	DB7	DB6	DB5	DB4	DB3	DB2	DB1	DB0
Code	0	0	1	AC6	AC5	AC4	AC3	AC2	AC1	AC0

Set DDRAM address to AC.

This instruction makes DDRAM data available from MPU.

When 1-line display mode (N = 0), DDRAM address is from "00H" to "4FH".

In 2-line display mode (N = 1), DDRAM address in the 1st line is from "00H" to "27H", and DDRAM address in the 2nd line is from "40H" to "67H".

**FUNCTION DESCRIPTION(CONT.)**

● **Read Busy Flag and Address**

	RS	RW	DB7	DB6	DB5	DB4	DB3	DB2	DB1	DB0
Code	0	1	BF	AC6	AC5	AC4	AC3	AC2	AC1	AC0

When BF = "High", indicates that the internal operation is being processed. So during this time the next instruction cannot be accepted.

The address Counter (AC) stores DDRAM/CGRAM addresses, transferred from IR.

After writing into (reading from) DDRAM/CGRAM, AC is automatically increased (decreased) by 1.

● **Write Data to CGRAM or DDRAM**

	RS	RW	DB7	DB6	DB5	DB4	DB3	DB2	DB1	DB0
Code	1	0	D7	D6	D5	D4	D3	D2	D1	D0

Write binary 8-bit data to DDRAM/CGRAM.

The selection of RAM from DDRAM, CGRAM, is set by the previous address set instruction : DDRAM address set, CGRAM address set. RAM set instruction can also determine the AC direction to RAM.

After write operation, the address is automatically increased/decreased by 1, according to the entry mode.

● **Read Data from CGRAM or DDRAM**

	RS	RW	DB7	DB6	DB5	DB4	DB3	DB2	DB1	DB0
Code	1	1	D7	D6	D5	D4	D3	D2	D1	D0

Read binary 8-bit data from DDRAM/CGRAM.

The selection of RAM is set by the previous address set instruction. If address set instruction of RAM is not performed before this instruction, the data that read first is invalid, because the direction of AC is not determined. If you read RAM data several times without RAM address set instruction before read operation, you can get correct RAM data from the second, but the first data would be incorrect, because there is no time margin to transfer RAM data.

In case of DDRAM read operation, cursor shift instruction plays the same role as DDRAM address set instruction : it also transfer RAM data to output data register. After read operation address counter is automatically increased/decreased by 1 according to the entry mode. After CGRAM read operation, display shift may not be executed correctly.

\* In case of RAM write operation, after this AC is increased/decreased by 1 like read operation. In this time, AC indicates the next address position, but you can read only the previous data by read instruction.

**DISPLAY DD RAM AND CHARACTER POSITION**

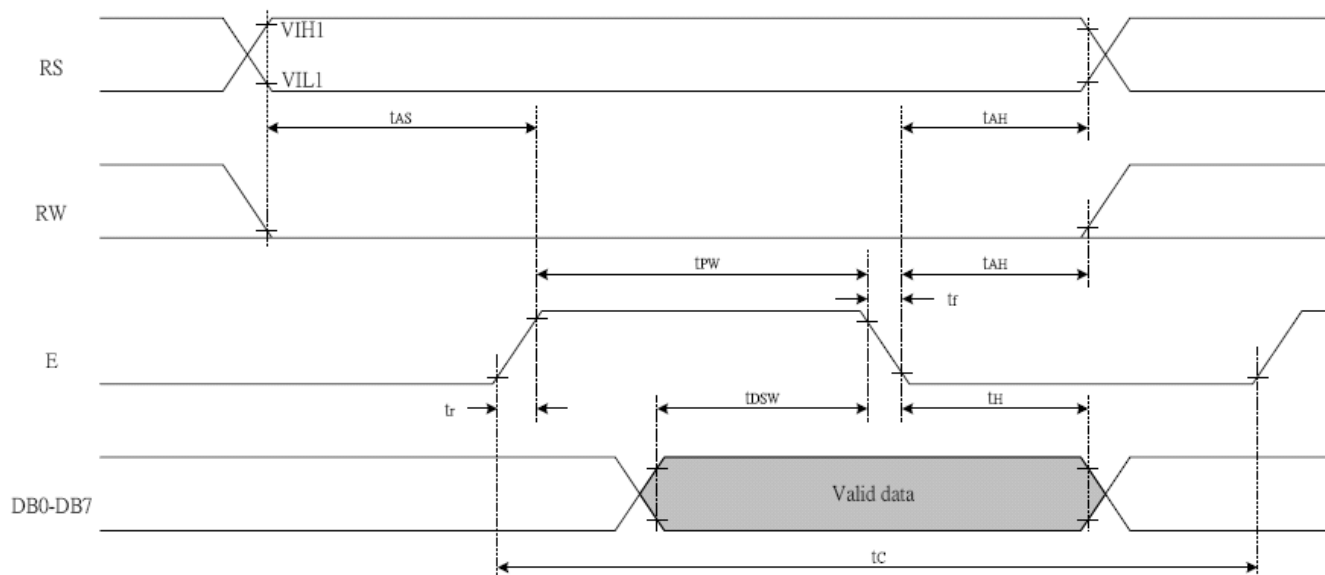
24x2, 1/16 DUTY CYCLE

	1	2		24	DISPLAY POSITION
line 1	00	01	.....	17	DD RAM ADDRESS
line 2	40	41	.....	57	

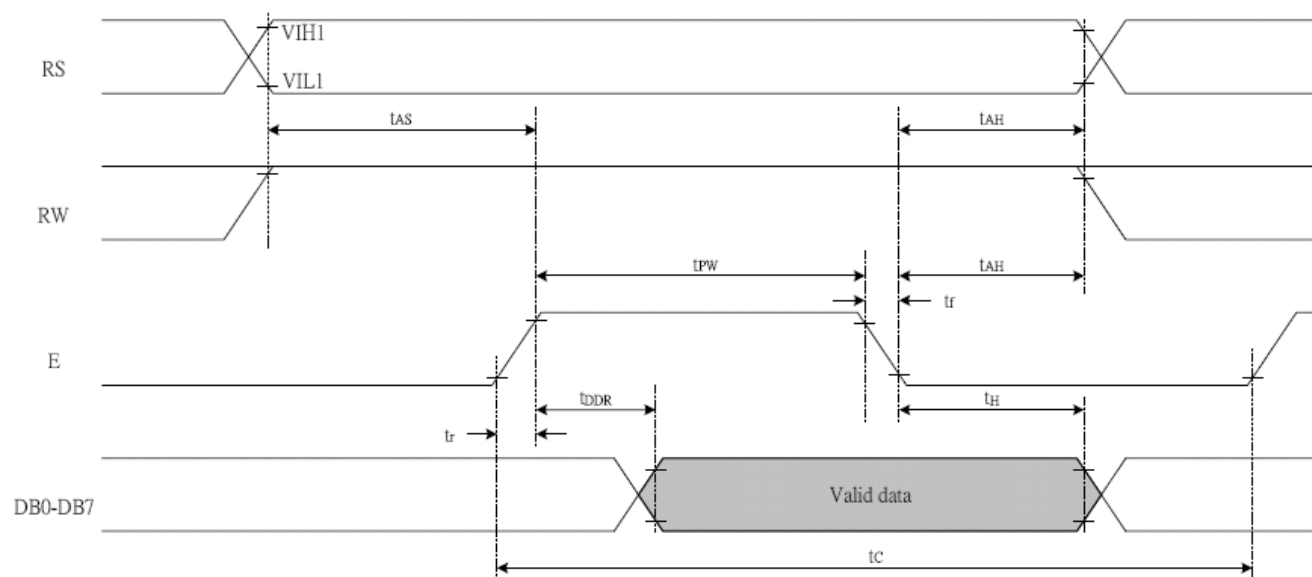
**TIMING CHARACTERISTICS OF COMPATIBLE CONTROLLER CHIPS**

TA = 25°C, VCC = 5V

<i>Write Mode (Writing data from MPU to ST7066U)</i>						
T <sub>C</sub>	Enable Cycle Time	Pin E	1200	-	-	ns
T <sub>PW</sub>	Enable Pulse Width	Pin E	140	-	-	ns
T <sub>R</sub> , T <sub>F</sub>	Enable Rise/Fall Time	Pin E	-	-	25	ns
T <sub>AS</sub>	Address Setup Time	Pins: RS,RW,E	0	-	-	ns
T <sub>AH</sub>	Address Hold Time	Pins: RS,RW,E	10	-	-	ns
T <sub>DSW</sub>	Data Setup Time	Pins: DB0 - DB7	40	-	-	ns
T <sub>H</sub>	Data Hold Time	Pins: DB0 - DB7	10	-	-	ns
<i>Read Mode (Reading Data from ST7066U to MPU)</i>						
T <sub>C</sub>	Enable Cycle Time	Pin E	1200	-	-	ns
T <sub>PW</sub>	Enable Pulse Width	Pin E	140	-	-	ns
T <sub>R</sub> , T <sub>F</sub>	Enable Rise/Fall Time	Pin E	-	-	25	ns
T <sub>AS</sub>	Address Setup Time	Pins: RS,RW,E	0	-	-	ns
T <sub>AH</sub>	Address Hold Time	Pins: RS,RW,E	10	-	-	ns
T <sub>DDR</sub>	Data Setup Time	Pins: DB0 - DB7	-	-	100	ns
T <sub>H</sub>	Data Hold Time	Pins: DB0 - DB7	10	-	-	ns

**Write Mode Timing Diagram (Writing Data from MPU to ST7066U)**

## Read Mode Timing Diagram (Reading Data from ST7066U to MPU)

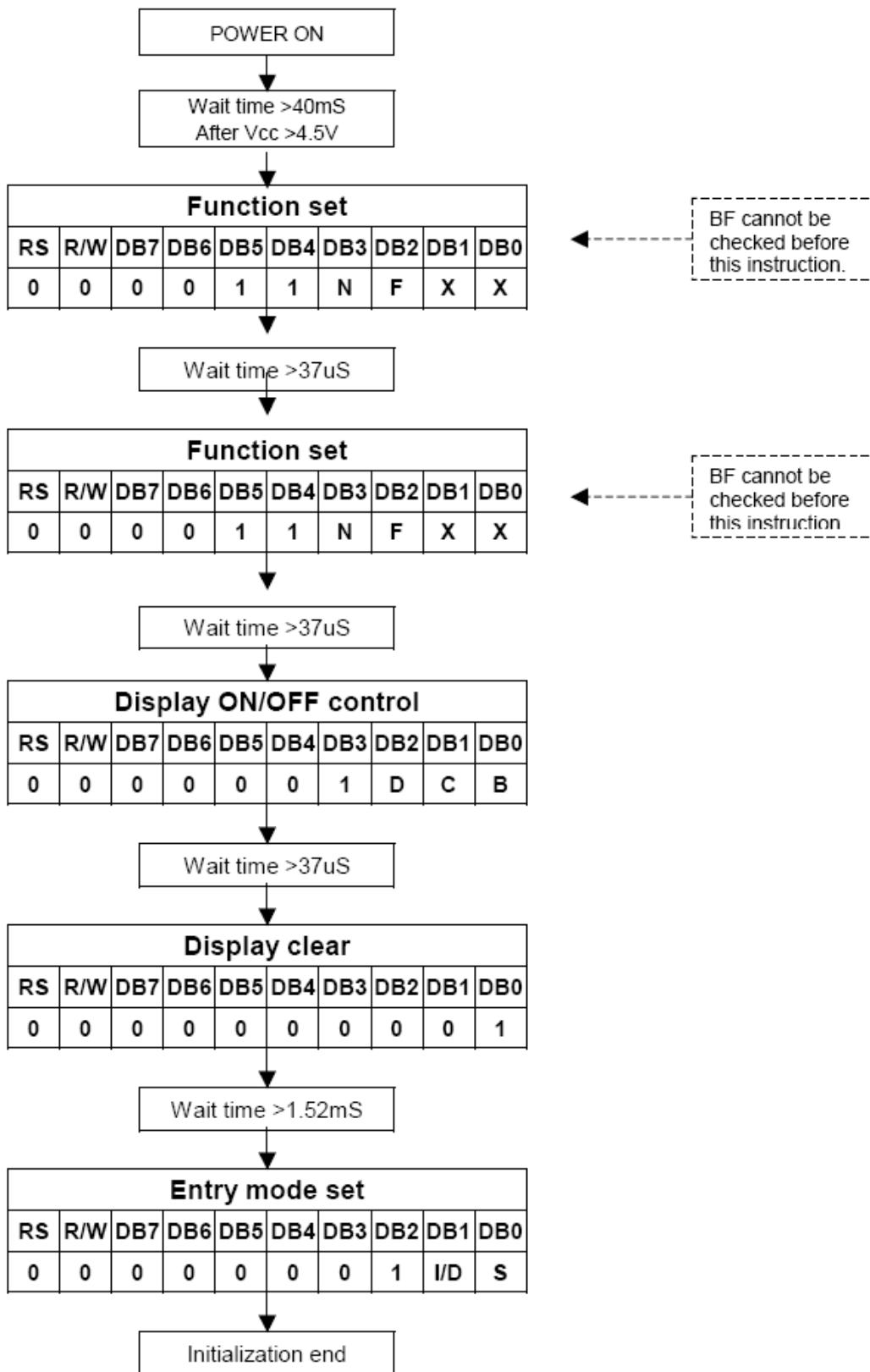


## THE RESET CIRCUIT

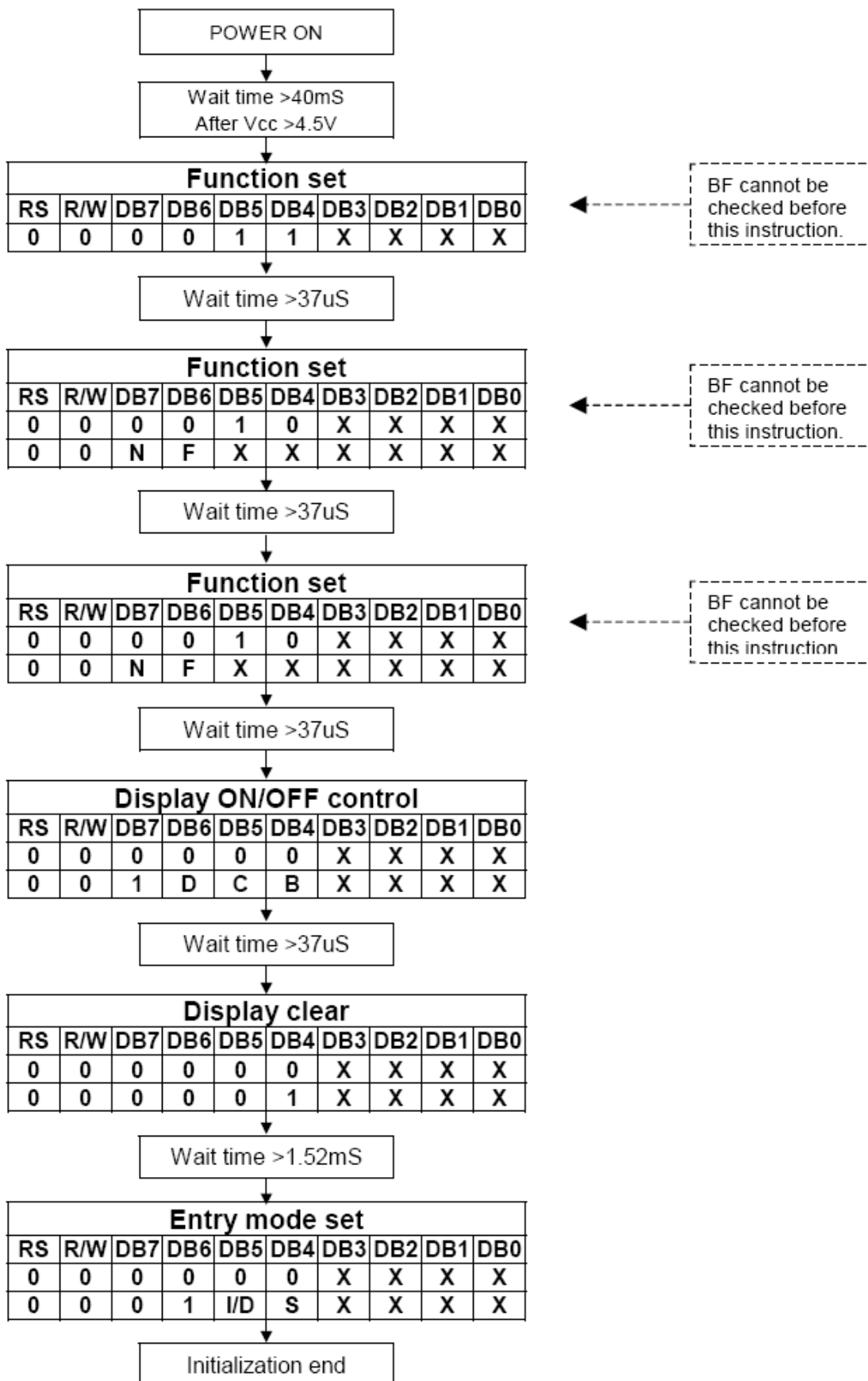
An internal reset circuit automatically initializes the ST7066U when the power is turned on. The following instructions are executed during the initialization. The busy flag (BF) is kept in the busy state until the initialization ends (BF = 1). The busy state lasts for 40 ms after VCC rises to 4.5 V.

1. Display clear
2. Function set:
  - DL = 1; 8-bit interface data
  - N = 0; 1-line display
  - F = 0; 5x8 dot character font
3. Display on/off control:
  - D = 0; Display off
  - C = 0; Cursor off
  - B = 0; Blinking off
4. Entry mode set:
  - I/D = 1; Increment by 1
  - S = 0; No shift

Initialization for 8-Bit Interface



Initialization for 4-Bit Interface



**ELECTRO-OPTICAL CHARACTERISTICS**

MEASURING CONDITION: POWER SUPPLY =  $V_{OP} / 64 \text{ Hz}$   
 TEMPERATURE =  $23 \pm 5 \text{ }^\circ\text{C}$   
 RELATIVE HUMIDITY =  $60 \pm 20 \%$

ITEM	SYMBOL	UNIT	TYP. TN	TYP. STN
RESPONSE TIME	Ton	ms	100	150
	Toff	ms	80	190
CONTRAST RATIO	Cr	-	10	15
VIEWING ANGLE (6 O'clock) (Cr $\geq$ 2)	V3:00	$^\circ$	20	45
	V6:00	$^\circ$	20	70
	V9:00	$^\circ$	20	45
	V12:00	$^\circ$	10	60

THE ELECTRO-OPTICAL CHARACTERISTICS ARE MEASURED VALUE BUT NOT GUARANTEED ONES.

**RELIABILITY OF LCD MODULE**

ITEM	TEST CONDITION FOR NORMAL TEMPERATURE	TEST CONDITION FOR WIDE TEMPERATURE	TIME
High temperature operating	50°C	70°C	240 hours
Low temperature operating	0°C	-20°C	240 hours
High temperature storage	60°C	80°C	240 hours
Low temperature storage	-10°C	-30°C	240 hours
Temperature-humidity storage	40°C 90% R.H.	60°C 90% R.H.	96 hours
Temperature cycling	-10°C to 60°C 30 Min Dwell	-30°C to 80°C 30 Min Dwell	5 cycles



**QUALITY STANDARD OF LCD MODULE**

<b>1.0</b>	<b>Sampling Method</b>		
	Sampling Plan : MIL STD 105 E Class of AQL : Level II/Single Sampling Critical : 0.25% Major 0.65% Minor 1.5%		
<b>2.0</b>	<b>Defect Group</b>	<b>Failure Category</b>	<b>Failure Reasons</b>
	Critical Defect 0.25%(AQL)	Malfunction	Open Short Burnt or dead component Missing part/improper part P.C.B. Broken
	Major Defect 0.65%(AQL)	Poor Insulation	Potential short High current Component damage or scratched or Lying too close improper coating
		Poor Conduction	Damage joint Wrong polarity Wrong spec. part Uneven/intermittent contact Loose part Copper peeling Rust or corrosion or dirt's
	Minor Defect 1.5%(AQL)	Cosmetic Defect	Minor scratch Flux residue Thin solder Poor plating Poor marking Crack solder Poor bending Poor packing Wrong size

## HANDLING PRECAUTIONS

### (1) CAUTION OF LCD HANDLING & CLEANING

The polarizing plate on the surface of the panel is made from organic substances. Be very careful for chemicals not to touch the plate or it leads the polarizing plate to deteriorate.

If the use of a chemical is unavoidable, wipe the panel lightly with soft materials, such as gauze and absorbent cotton, soaked in a solvent.

\*Usable solvent: Alcohol (ethanol, IPA and the like)

\*Appropriate solvent: Ketones, ethyl alcohol

Avoid wiping with a dry cloth, since it could damage the surface of the polarizing plate and others.

### (2) CAUTION AGAINST STATIC CHARGE

The LCD modules use CMOS LSI drivers, so customers are recommended that any unused input terminal would be connected to  $V_{DD}$  or  $V_{SS}$ , do not input any signals before power is turned on, and ground your body, work/assembly areas, assembly equipment to protect against static electricity.

### (3) PACKAGING

Avoid intense shock and falls from a height and do not operate or store them exposed to direct sunshine or high temperature/humidity for long periods.

### (4) CAUTION FOR OPERATION

The viewing angle can be adjusted by varying the LCD driving voltage  $V_O$ .

Driving voltage should be kept within specified range, excess voltage shortens display life.

Response time increases with decrease in temperature.

Display may turn black or dark Blue at temperature above its operational range; this is however not destructive and the display will return to normal once the temperature falls back to range.

Mechanical disturbance during operation (such as pressing on the viewing area) may cause the segments to appear "fractured". They will recover once the display is turned off.

Condensation at terminals will cause malfunction and possible electrochemical reaction. Relative humidity of the environment should therefore be kept below 60%.

### (5) SAFETY

Liquid crystal may leak out of a damaged LCD, it is recommended to wash off the liquid crystal by using solvents such as acetone or ethanol and should be burned up later.

If any liquid leaks out of a damaged glass cell comes in contact with your hands, wash it off with soap and water immediately.

## WARRANTY

CLOVER will replace or repair any of her LCD module in accordance with her LCD specification for a period of one year from date of shipment. The warranty liability of Clover is limited to repair and/or replacement. Clover will not be responsible for any subsequent or consequential event.