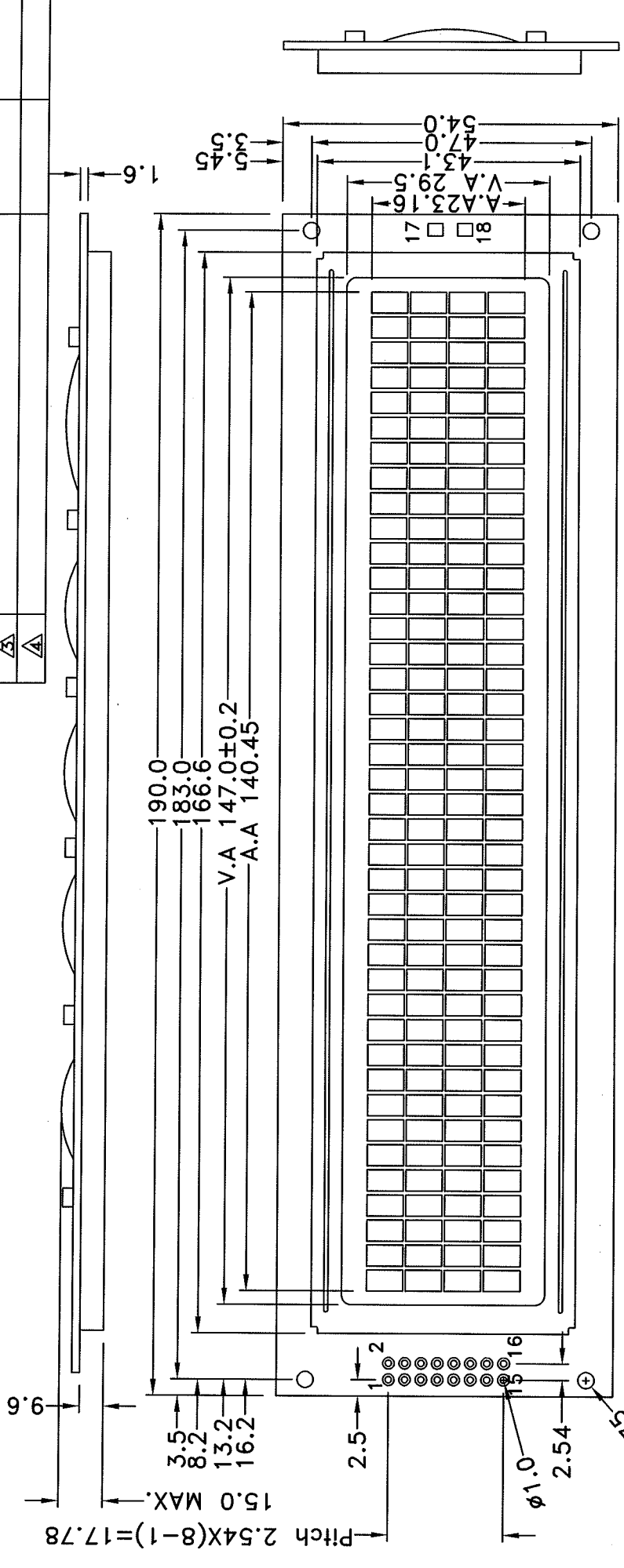
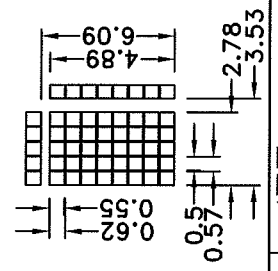


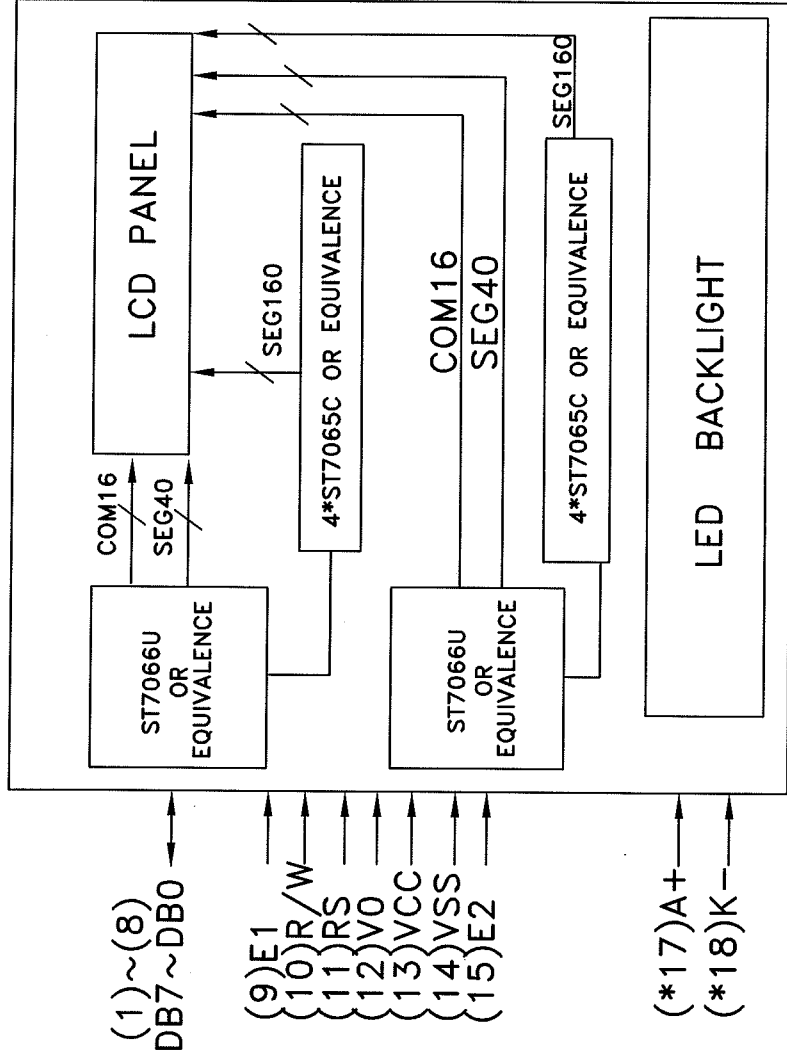
MARK	REASON	PREPARED	DATE
△			
△			
△			
△			



scale 3.3 : 1



TOLERANCE IF NOT SPECIFY ±0.5mm		SCALE NOT ON SCALE	UNIT IN mm	CLOVER CHINA DISPLAY (SHENZHEN) LTD.			SHEET 1 OF 3
REV. 00	REVISION RECORD 1st ISSUE		DATE 17 APR 12	APPROVED	MODEL NO. ZCV4404M	DIMENSION	
				AGENT	DRAWN BY: PANWU	DATE: 17 APR 12	
				CUSTOMER REF.	CHECKED BY:	DATE: 20 APR 12	
				OUR REF. ZX4038	APPROVED BY: <i>Allen</i> DATE: 20/4/12		



PIN NO.	SYMBOL	FUNCTION
1	DB7	Data bus
2	DB6	
3	DB5	
4	DB4	
5	DB3	
6	DB2	
7	DB1	
8	DB0	
9	E1	Enable trigger
10	R/W	Read/Write
11	RS	Register select signal
12	V0	Supply voltage for LCD
13	VSS	Power ground
14	VCC	Power positive
15	E2	Enable trigger
16	NC	NO Connect
*17	A+	Backlight power supply(+)
*18	K-	Backlight power supply(-)

NOTE (\*) : Pin (17) (18) is used for backlight version only

TOLERANCE IF NOT SPECIFY ±0.5mm		SCALE NOT ON SCALE	UNIT IN mm	CLOVER CHINA DISPLAY (SHENZHEN) LTD.		SHEET 2 OF 3
REV.	REVISION RECORD	DATE	DATE	APPROVED	MODEL NO.	ZCV4404M
00	1st ISSUE	17 APR 12	17 APR 12	APPROVED	TITLE:	PINOUT & BLOCK DIAGRAM
				APPROVED	DRAWN BY:	PANWU DATE : 17 APR 12
					CHECKED BY:	DATE : 20 APR 12
					APPROVED BY:	DATE : 20/4/12
				OUR REF.	ZX4038	
				CUSTOMER	STANDARD	
				AGENT		
				CUSTOMER REF.		

### 1.General specification

Display mode : 40 Characters x 4 lines COB LCD Module  
 Interface : 8-bit parallel  
 Driving method : 1/16 duty , 1/5 bias

### 2.Electrical specification

Supply voltage for logic(VDD) : 5.0V  
 Supply voltage for LCD (V0) : 0.3V

### 3.Mechanical specification

Dot size[mm] : 0.5(L)x0.55(W)  
 Dot pitch[mm] : 0.57(L)x0.62(W)  
 Viewing area[mm] : 147.0(L)x29.5(W)  
 Module dimension[mm] : 190.0(L)x54.0(W)x15.0MAX.(H)

### 4.Backlight specification

Backlight type : Side-lited LED backlight  
 Backlight color : Yellow Green  
 Backlight voltage : 4.2V

TOLERANCE IF NOT SPECIFY ±0.5mm		SCALE NOT ON SCALE	UNIT IN mm	CLOVER CHINA DISPLAY (SHENZHEN) LTD.		SHEET 3 OF 3
REV.	REVISION RECORD			CUSTOMER	APPROVED	MODEL NO. ZCV4404M
00	1st ISSUE		DATE 17 APR 12	STANDARD		TITLE: SPECIFICATION
				AGENT	APPROVED	DRAWN BY: PANWU DATE :17 APR 12
				CUSTOMER REF.	OUR REF. ZX4038	CHECKED BY : <i>[Signature]</i> DATE : 20 APR 12
						APPROVED BY : <i>[Signature]</i> DATE : 20/4/12