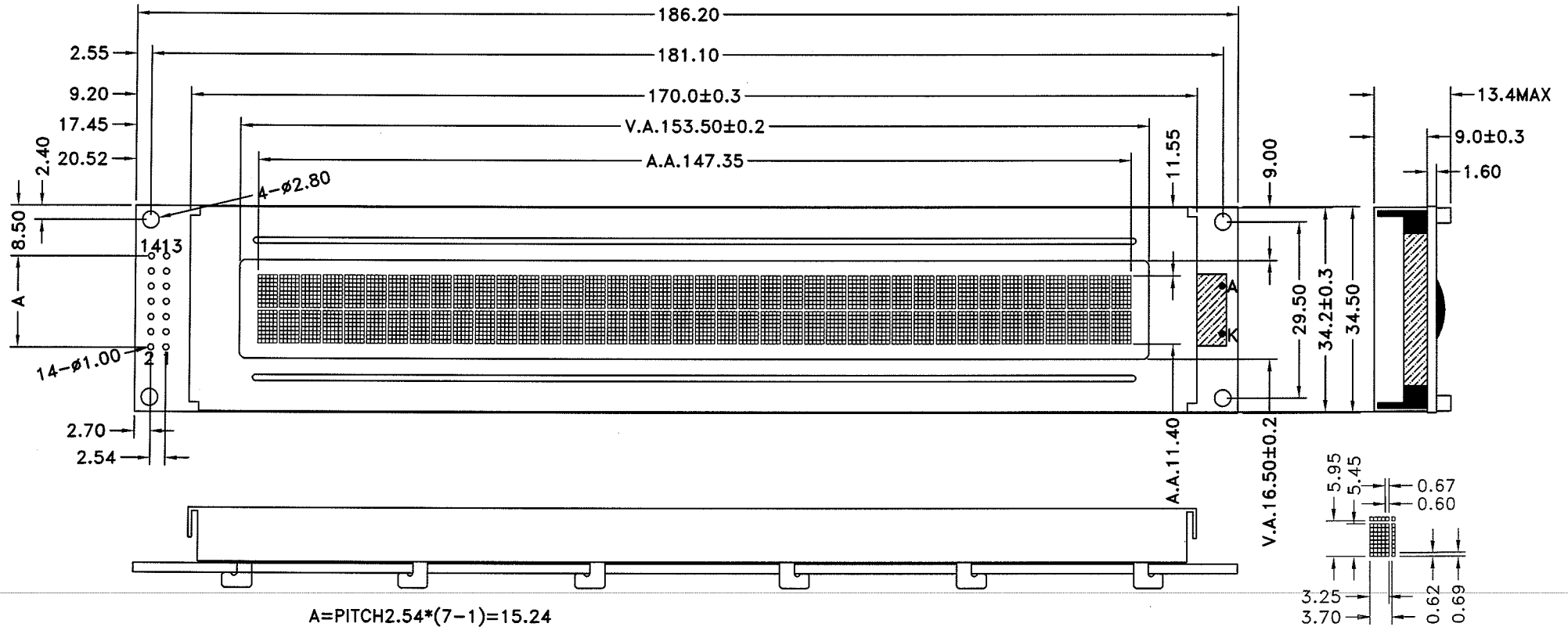


MARK	REASON	PREPARED	DATE
①			
②			
③			
④			



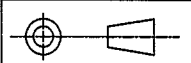
TOLERANCE IF NOT SPECIFY
±0.5mm

SCALE
NOT ON SCALE

UNIT IN mm



CLOVER CHINA DISPLAY (SHENZHEN) LTD.



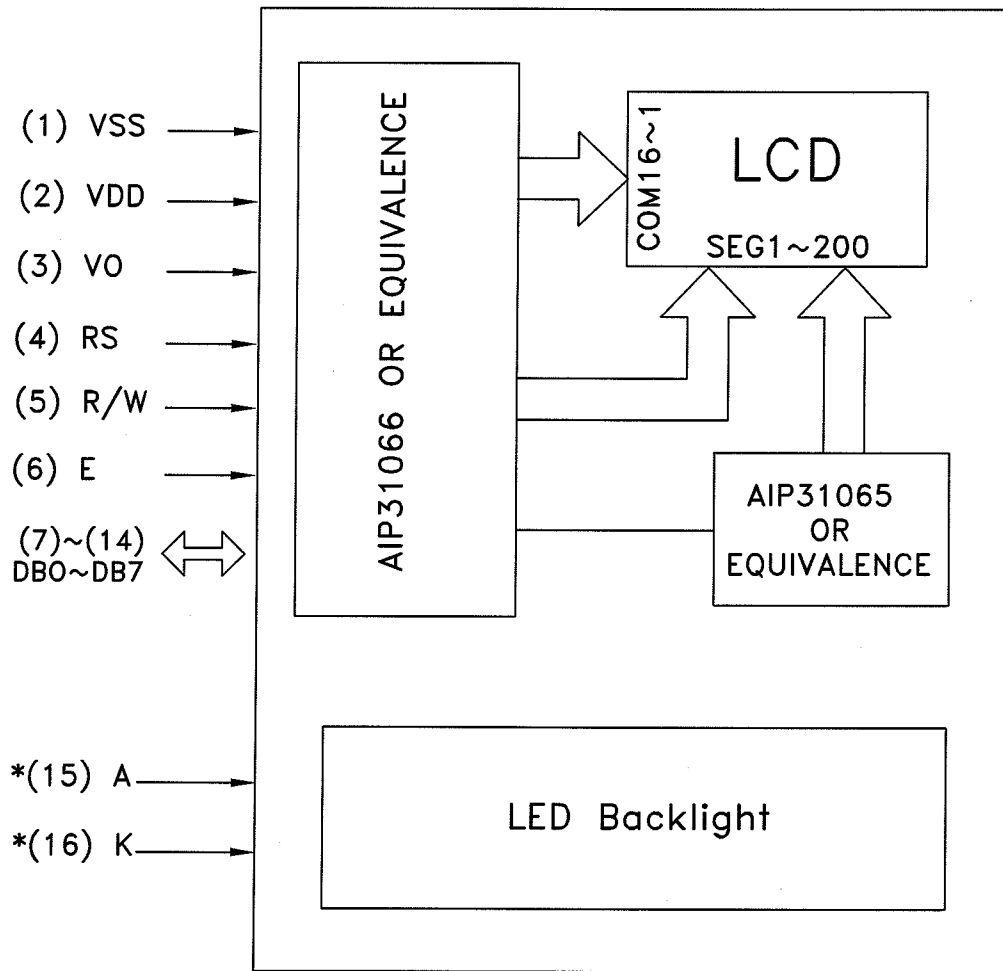
SHEET
1 OF 3

REV.	REVISION RECORD	DATE
00	1st ISSUE	02 MAY 12

CUSTOMER	STANDARD
AGENT	
CUSTOMER REF.	

APPROVED	
APPROVED	
OUR REF.	

MODEL NO.	ZCV4402N
TITLE:	DIMENSION
DRAWN BY:	PANWU DATE :02 MAY 12
CHECKED BY :	<i>[Signature]</i> DATE :02 MAY 12
APPROVED BY :	<i>[Signature]</i> DATE : 2/5/12



PIN NO.	SYMBOL	FUNCTION
1	VSS	Ground(0V)
2	VDD	Power supply votage for logic
3	V0	Input votage for LCD drive
4	RS	Register select input
5	R/W	Read / Write
6	E	Enable signal
7	DB0	Data bus line
8	DB1	
9	DB2	
10	DB3	
11	DB4	
12	DB5	
13	DB6	
14	DB7	
*15	A	Backlight power supply(+)
*16	K	Backlight power supply(-)

NOTE (*) : A,K pins are used for LED backlight version

TOLERANCE IF NOT SPECIFY ±0.5mm		SCALE NOT ON SCALE	UNIT IN mm	CLOVER CHINA DISPLAY (SHENZHEN) LTD.	SHEET 2 OF 3	
REV.	REVISION RECORD	DATE	CUSTOMER		APPROVED	MODEL NO.
00	1st ISSUE	02 MAY 12	STANDARD		TITLE: PINOUT & BLOCK DIAGRAM	
			AGENT	APPROVED	DRAWN BY: PANWU DATE : 02 MAY 12	
					CHECKED BY: <i>[Signature]</i> DATE : 02 MAY 12	
			CUSTOMER REF.	OUR REF.	APPROVED BY: <i>[Signature]</i> DATE : 2/5/12	

1.General specification

Display mode : 40 Characters x 2 lines COB LCD Module
 Interface : 4-bit or 8-bit parallel
 Driving method : 1/16 duty , 1/5 bias

2.Electrical specification


Supply voltage for logic(VDD) : 5.0V
 Input voltage for LCD (V0) : 0.5V

3.Mechanical specification

Dot size[mm] : 0.60(L)x0.62(W)
 Dot pitch[mm] : 0.67(L)x0.69(W)
 Charater size[mm] : 3.25(L)x5.45(W)
 Character pitch[mm] : 3.70(L)x5.95(W)
 Active area[mm] : 147.35(L)x11.40(W)
 Viewing area[mm] : 153.50(L)x16.50(W)
 Module dimension[mm] : 186.20(L)x34.50(W)x13.40MAX.(H)

4.Backlight specification

Backlight type : Array LED backlight
 Backlight color : Yellow Green
 Backlight voltage : 4.2V

TOLERANCE IF NOT SPECIFY ±0.5mm		SCALE NOT ON SCALE	UNIT IN mm	 CLOVER CHINA DISPLAY (SHENZHEN) LTD.			SHEET 3 OF 3	
REV.	REVISION RECORD	DATE	CUSTOMER	APPROVED	MODEL NO.	ZCV4402N		
00	1st ISSUE	02 MAY 12	STANDARD		TITLE:	SPECIFICATION		
			AGENT	APPROVED	DRAWN BY:	PANWU DATE :02 MAY 12		
					CHECKED BY:	<i>[Signature]</i> DATE : 02 MAY 12		
			CUSTOMER REF.	OUR REF.	APPROVED BY:	<i>[Signature]</i> DATE : 2/5/12		