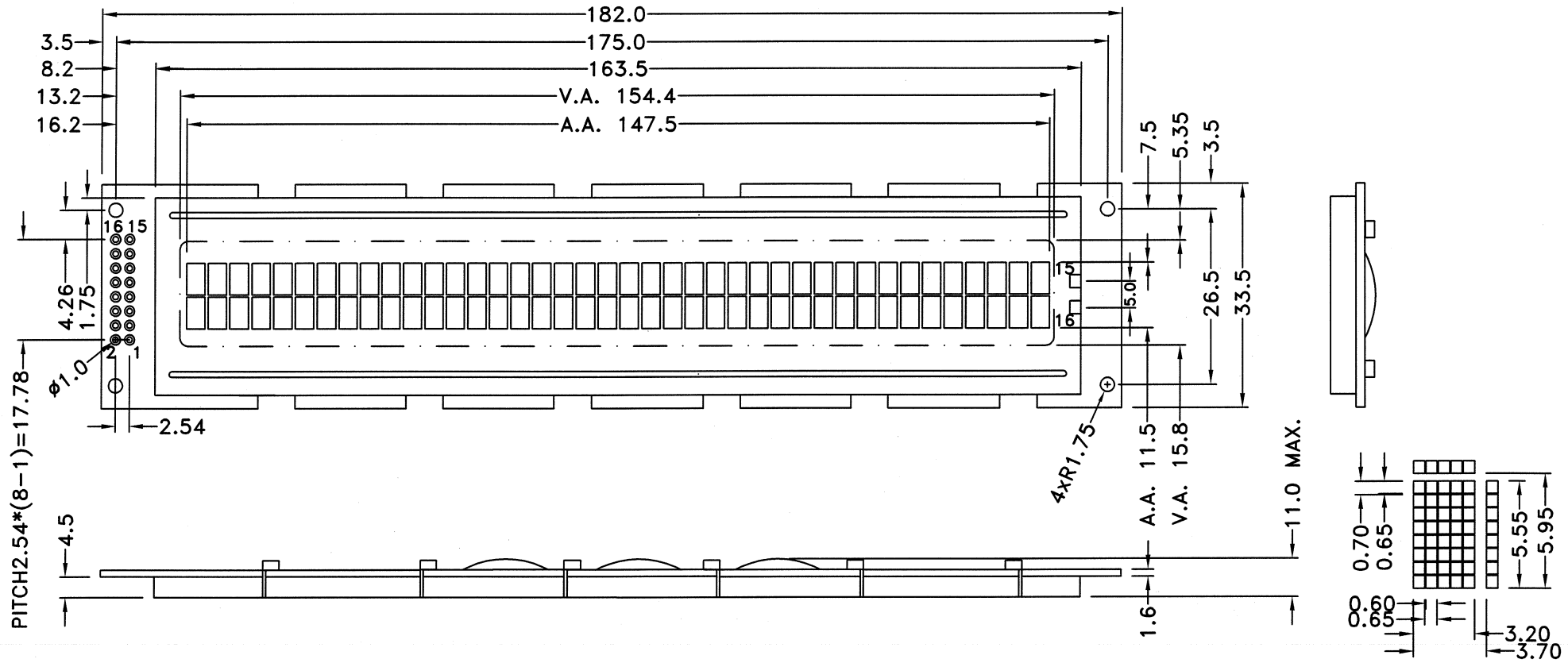


MARK	REASON	PREPARED	DATE
△			
△			
△			
△			



TOLERANCE IF NOT SPECIFY
±0.5mm

SCALE
NOT ON SCALE

UNIT IN mm



CLOVER CHINA DISPLAY (SHENZHEN) LTD.

SHEET
1 OF 3

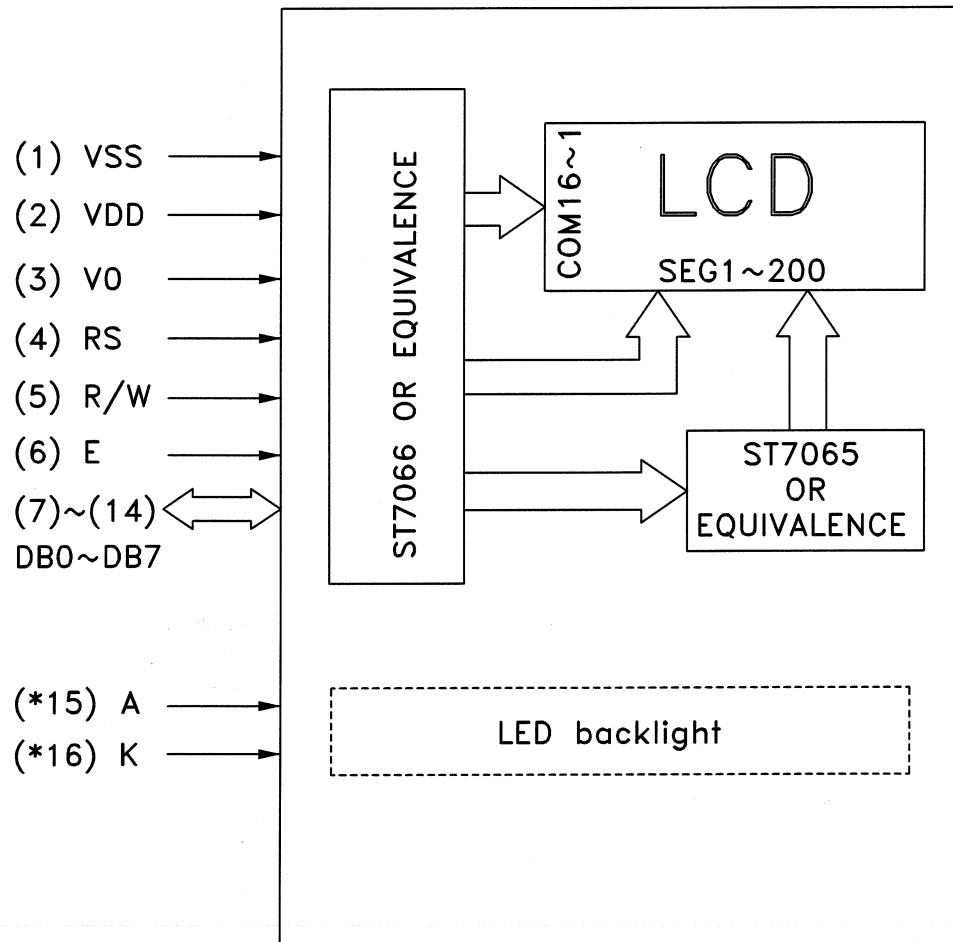
REV.	REVISION RECORD	DATE
00	1st ISSUE	15 MAY 12

CUSTOMER STANDARD
AGENT
CUSTOMER REF.

APPROVED
APPROVED
OUR REF. ZX4039

MODEL NO. ZCV4402M
TITLE: MODULE DIMENSION
DRAWN BY: PANWU DATE: 15 MAY 12
CHECKED BY: Allen DATE: 15 MAY 12
APPROVED BY: Allen DATE: 15/5/12

BLOCK DIAGRAM



PIN NUMBER	SYMBOL	FUNCTION
1	VSS	Ground (0V)
2	VDD	Power supply voltage for logic
3	V0	Input voltage for LCD drive
4	RS	Register select input
5	R/W	Read/Write
6	E	Enable signal
7	DB0	Data bus line
8	DB1	
9	DB2	
10	DB3	
11	DB4	
12	DB5	
13	DB6	
14	DB7	
*15	A	Backlight power supply(+)
*16	K	Backlight power supply(-)

NOTE (*) : A,K Pins are used for LED backlight version

TOLERANCE IF NOT SPECIFY ±0.5mm		SCALE NOT ON SCALE	UNIT IN mm	CLOVER CHINA DISPLAY (SHENZHEN) LTD.		SHEET 2 OF 3	
REV.	REVISION RECORD	DATE	CUSTOMER	APPROVED	MODEL NO. ZCV4402M		
00	1st ISSUE	15 MAY 12	STANDARD		TITLE: PINOUT & BLOCK DIAGRAM		
			AGENT	APPROVED	DRAWN BY: PANWU DATE :15 MAY 12		
					CHECKED BY : Allen DATE :15 MAY 12		
			CUSTOMER REF.	OUR REF. ZX4039	APPROVED BY: <i>[Signature]</i> DATE :15/5/12		

1. General specification

Display mode : 40 Characters x 2 lines COB LCD Module
 Interface : 4-bit / 8-bit parallel or serial
 Driving method : 1/16 duty , 1/5 bias

2. Electrical specification


Supply voltage for logic(VDD) : 5.0V
 Input voltage for LCD (V0) : 0V

3. Mechanical specification

Dot size[mm] : 0.60(L)x0.65(W)
 Dot pitch[mm] : 0.65(L)x0.70(W)
 Character size[mm] : 3.20(L)x5.55(W)
 Character pitch[mm] : 3.70(L)x5.95(W)
 Active area[mm] : 147.5(L)x11.5(W)
 Viewing area[mm] : 154.4(L)x15.8(W)
 Module dimension[mm] : 182.0(L)x33.5(W)x11.0MAX.(H)

4. Backlight specification

Backlight type : Side-lited LED backlight
 Backlight color : YELLOW GREEN/WHITE/BLUE
 Supply voltage for backlight : 5.0V

TOLERANCE IF NOT SPECIFY ±0.5mm		SCALE NOT ON SCALE	UNIT IN mm	 CLOVER CHINA DISPLAY (SHENZHEN) LTD.		SHEET 3 OF 3	
REV.	REVISION RECORD	DATE	CUSTOMER	APPROVED	MODEL NO.	ZCV4402M	
00	1st ISSUE	15 MAY 12	STANDARD		TITLE:	SPECIFICATION	
			AGENT	APPROVED	DRAWN BY: PANWU	DATE :15 MAY 12	
					CHECKED BY : <i>Alm</i>	DATE : 15 MAY 12	
			CUSTOMER REF.	OUR REF. ZX4039	APPROVED BY: <i>[Signature]</i>	DATE : 15/5/12	