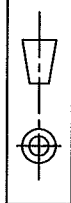
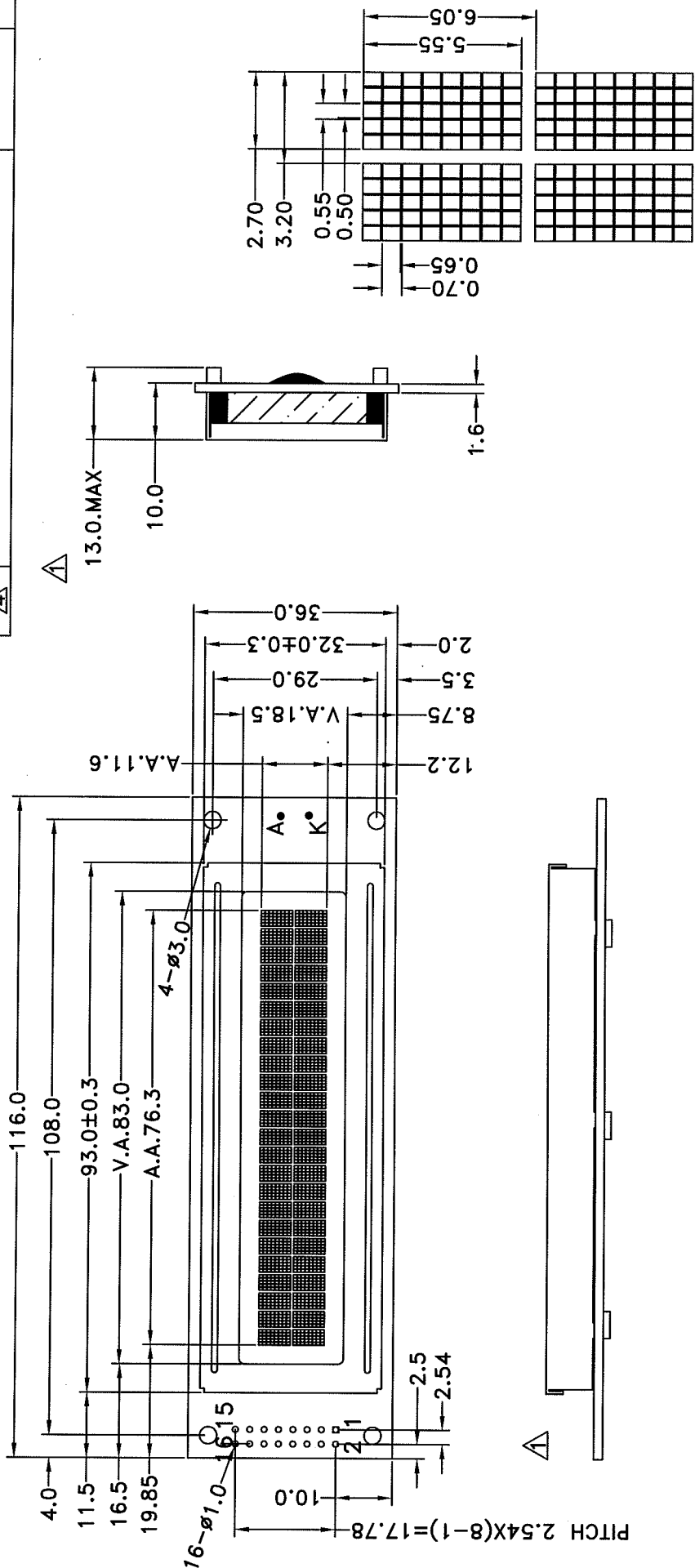
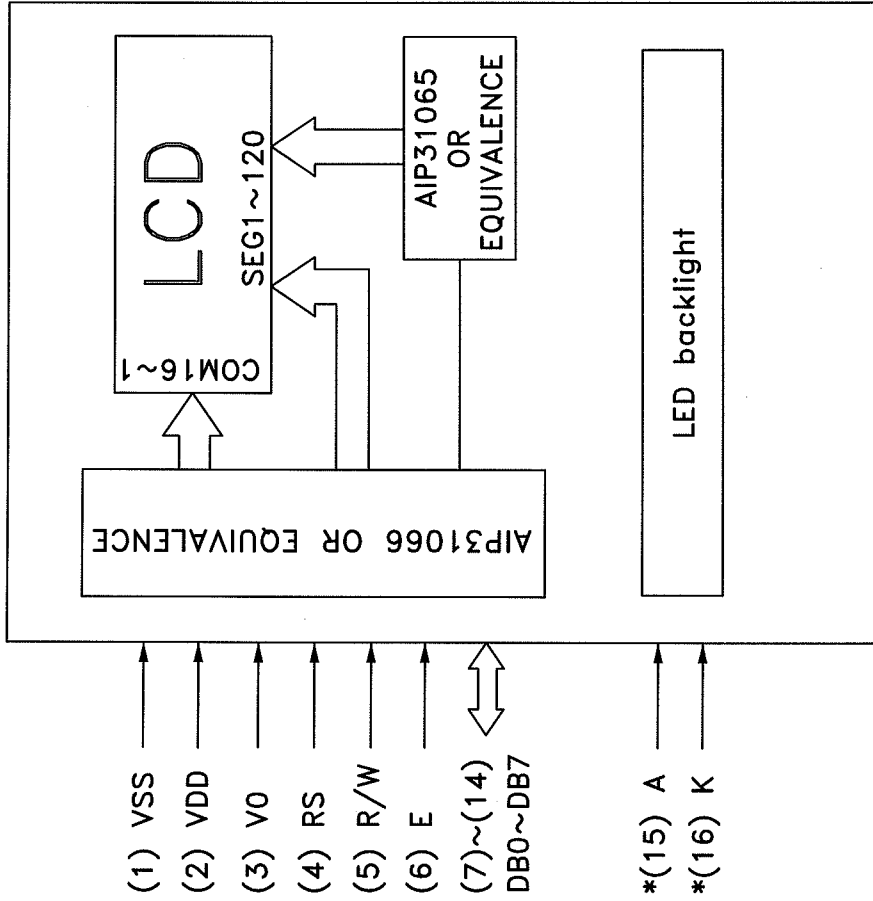


MARK	REASON	PREPARED	DATE
△	Add the backlight specification and modify the module dimension	Allen	07 JUN 12
△			
△			
△			



TOLERANCE IF NOT SPECIFY ±0.5mm		SCALE N.T.S.	UNIT IN mm	CLOVER CHINA DISPLAY (SHENZHEN) LTD.		SHEET 1 OF 3
REV.	REVISION RECORD		DATE	CUSTOMER	APPROVED	MODEL NO. ZCV4242M
00	1st ISSUE		20 MAR 12	STANDARD	APPROVED	TITLE: MODULE DIMENSION
01	Add the backlight specification and modify the module dimension		07 JUN 12			AGENT
						CHECKED BY : Allen DATE : 2012.06.07 16:03:30
						APPROVED BY : <i>Allen</i> DATE : <i>07/6/12</i>
				CUSTOMER REF.	OUR REF.	

BLOCK DIAGRAM



PIN NUMBER	SYMBOL	FUNCTION
1	VSS	Ground
2	VDD	Power supply for logic
3	V0	Input voltage for LCD drive
4	RS	Register select signal
5	R/W	Read/Write
6	E	Enable signal
7	DB0	Data bus line
8	DB1	
9	DB2	
10	DB3	
11	DB4	
12	DB5	
13	DB6	
14	DB7	
*15	A	Backlight power supply (+)
*16	K	Backlight power supply (-)

NOTE (*) : A,K Pins are used for backlight version

TOLERANCE IF NOT SPECIFY ±0.5mm		SCALE N.T.S.	UNIT IN mm	CLOVER CHINA DISPLAY (SHENZHEN) LTD.		SHEET 2 OF 3
REV.	REVISION RECORD	DATE	CUSTOMER	MODEL NO.ZCV4242M		
00	1st ISSUE	20 MAR 12	AGENT	TITLE: PIN OUT & BLOCK DIAGRAM		
01	Add the backlight specification and modify the module dimension	07 JUN 12		DRAWN BY: ZHOU.H.Y DATE : 07 JUN 12		
				CHECKED BY : Allen DATE : 2012.06.07 16:03:4		
				APPROVED BY: <i>[Signature]</i> DATE : 8/6/12		
				OUR REF.		
				APPROVED		
				APPROVED		
				STANDARD		

1. General specification

Display mode : 24 characters x 2 lines LCD module
 Interface : 4-bit / 8-bit parallel
 Driving method : 1/16 duty , 1/5 bias

2. Electrical specification

Supply voltage for logic(VDD) : 5.0V
 Input voltage for LCD (V0) : 0V

3. Mechanical specification

Dot size : 0.50(L)X0.65(W)
 Dot pitch : 0.55(L)X0.70(W)
 Character size : 2.70(L)X5.55(W)
 Character pitch : 3.20(L)X6.05(W)
 Active area : 76.3(L)x11.6(W)
 Viewing area : 83.0(L)x18.5(W)
 Module dimension : 116.0(L)x36.0(W)x13.0(H)MAX. \triangle

\triangle 4. Backlight specification

Backlight type	Backlight color	Supply voltage for backlight
Array LED backlight	YELLOW GREEN	5.0V
Side-lited LED backlight	WHITE	5.0V

TOLERANCE IF NOT SPECIFY $\pm 0.5\text{mm}$		SCALE N.T.S.	UNIT IN mm	CLOVER CHINA DISPLAY (SHENZHEN) LTD.		SHEET 3 OF 3
REV.	REVISION RECORD		DATE	CUSTOMER	APPROVED	MODEL NO. ZCV4242M
00	1st ISSUE		20 MAR 12	STANDARD		TITLE: SPECIFICATION
01	Add the backlight specification and modify the module dimension		07 JUN 12	AGENT	APPROVED	DRAWN BY: ZHOU.H.Y DATE : 07 JUN 12
						CHECKED BY : Allen DATE : 2012.06.07 16:04:05
				CUSTOMER REF.	OUR REF.	APPROVED BY : <i>[Signature]</i> DATE : <i>[Signature]</i>