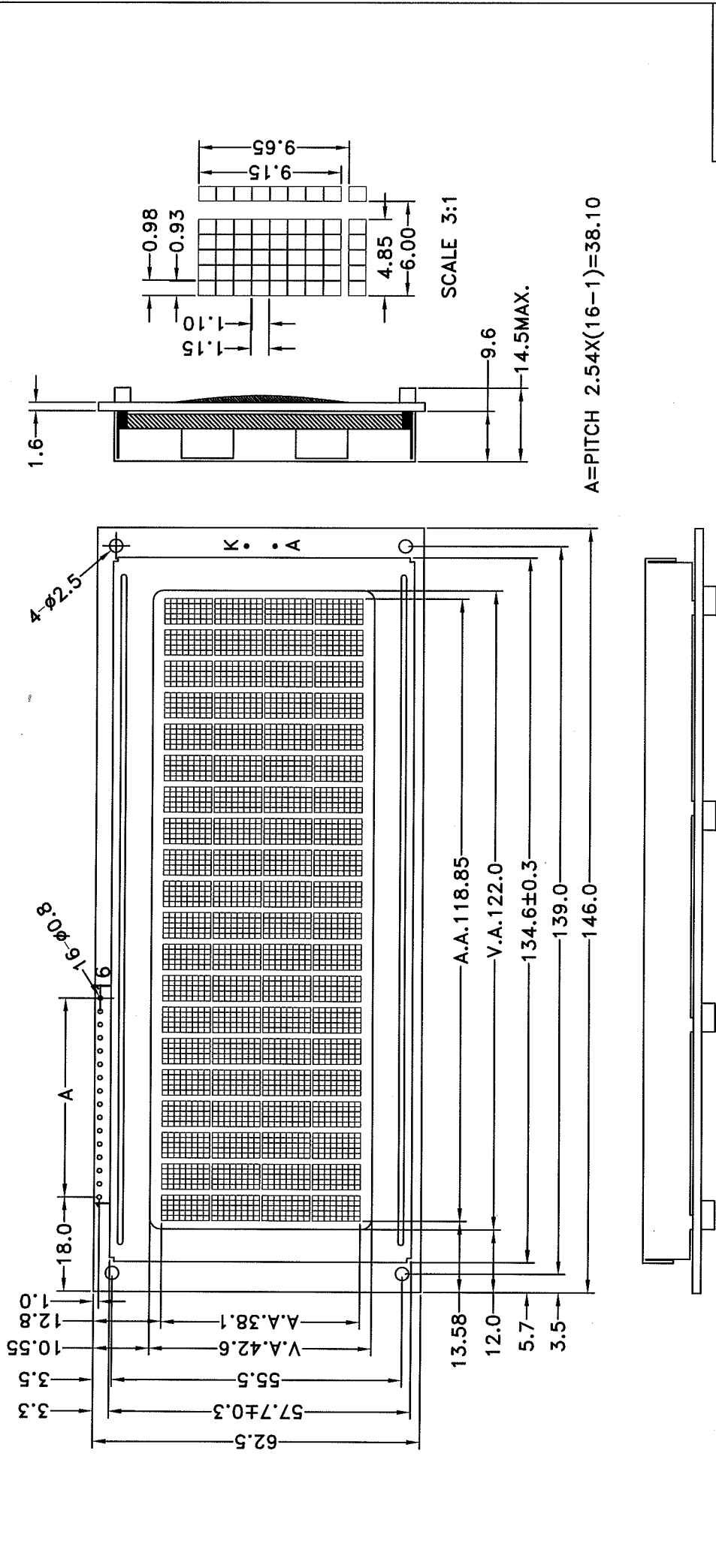
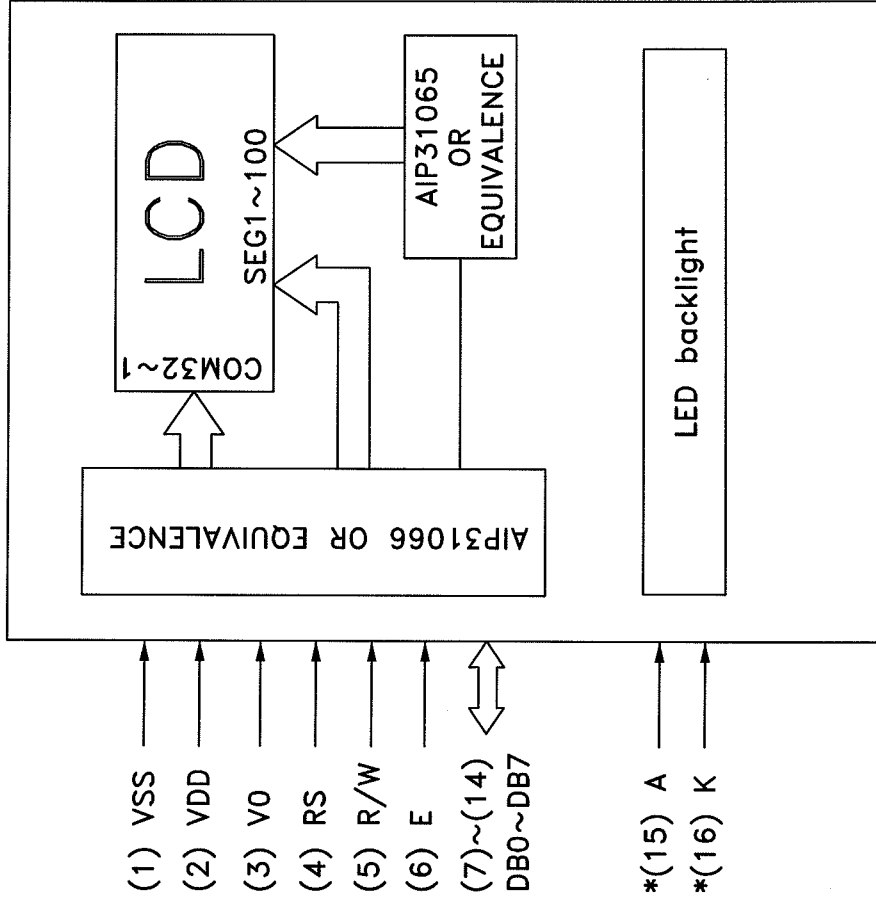


MARK	REASON	PREPARED	DATE
△1			
△2			
△3			
△4			



TOLERANCE IF NOT SPECIFY ±0.5mm		SCALE N.T.S.	UNIT IN mm	CLOVER CHINA DISPLAY (SHENZHEN) LTD.		SHEET 1 OF 3
REV. 00	REVISION RECORD 1st ISSUE		DATE 08 JUN 12	MODEL NO. ZCV4204M		TITLE: MODULE DIMENSION
				DRAWN BY: ZHOU.H.Y DATE: 08 JUN 12		CHECKED BY: Allen DATE: 2012.06.08 16:11:10 +08:00
				APPROVED		APPROVED BY: <i>[Signature]</i> DATE: 12/6/12
				APPROVED		
				OUR REF.		
				CUSTOMER REF.		
				CUSTOMER		
				AGENT		
				STANDARD		

BLOCK DIAGRAM



- (1) VSS
- (2) VDD
- (3) V0
- (4) RS
- (5) R/W
- (6) E
- (7)~(14) DB0~DB7
- *(15) A
- *(16) K



PIN NUMBER	SYMBOL	FUNCTION
1	VSS	Ground
2	VDD	Power supply for logic
3	V0	Input voltage for LCD drive
4	RS	Register select signal
5	R/W	Read/Write
6	E	Enable signal
7	DB0	Data bus line
8	DB1	
9	DB2	
10	DB3	
11	DB4	
12	DB5	
13	DB6	
14	DB7	
*15	A	Backlight power supply (+)
*16	K	Backlight power supply (-)

NOTE (*) : A,K Pins are used for backlight version

TOLERANCE IF NOT SPECIFY ±0.5mm	SCALE N.T.S.	UNIT IN mm	CLOVER CHINA DISPLAY (SHENZHEN) LTD.	SHEET 2 OF 3
REV. 00	REVISION RECORD 1st ISSUE	DATE 08 JUN 12	CUSTOMER STANDARD	MODEL NO. ZCV4204M
			AGENT	TITLE: PIN OUT & BLOCK DIAGRAM
			CUSTOMER REF.	DRAWN BY: ZHOU.H.Y DATE : 08 JUN 12
				CHECKED BY : Allen DATE : 2012.06.08 16:11:28
				APPROVED BY : <i>[Signature]</i> DATE : 2012.06.08

1. General specification
 Display mode : 20 characters x 4 lines COB LCD module
 Interface : 4-bit / 8-bit parallel
 Driving method : 1/16 duty , 1/5 bias
2. Electrical specification
 Supply voltage for logic(VDD) : 5.0V
 Input voltage for LCD (V0) : 0V
3. Mechanical specification
 Dot size : 0.93(L)x1.10(W)
 Dot pitch : 0.98(L)x1.15(W)
 Character size : 4.85(L)x9.15(W)
 Character pitch : 6.00(L)x9.65(W)
 Active area : 118.85(L)x38.10(W)
 Viewing area : 122.0(L)x42.6(W)
 Module dimension : 146.0(L)x62.5(W)x14.5MAX(H)
4. Backlight specification

Backlight type	Backlight color	Supply voltage for backlight
Array LED backlight	YELLOW GREEN	5.0V
Side-lited LED backlight	WHITE	5.0V

TOLERANCE IF NOT SPECIFY ±0.5mm	SCALE N.T.S.	UNIT IN mm	 CLOVER CHINA DISPLAY (SHENZHEN) LTD.	SHEET 3 OF 3
REV. 00	REVISION RECORD 1st ISSUE	DATE 08 JUN 12	CUSTOMER STANDARD	MODEL NO. ZCV4204M
			AGENT	TITLE: SPECIFICATION
				DRAWN BY: ZHOU.H.Y DATE : 08 JUN 12
				CHECKED BY : Allen DATE : 2012.06.08 16:11:36 -08'00'
			CUSTOMER REF.	APPROVED BY:  DATE : 12/6/12
			OUR REF.	