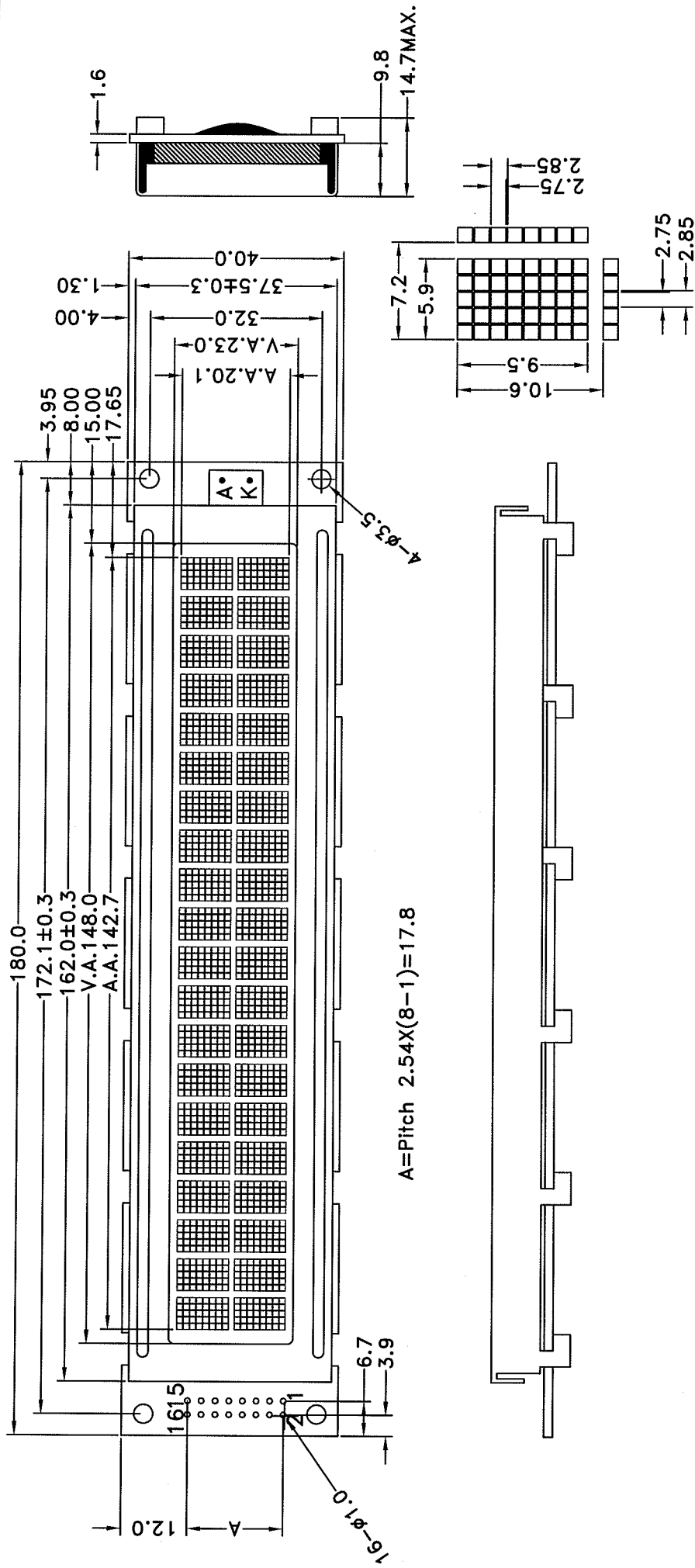
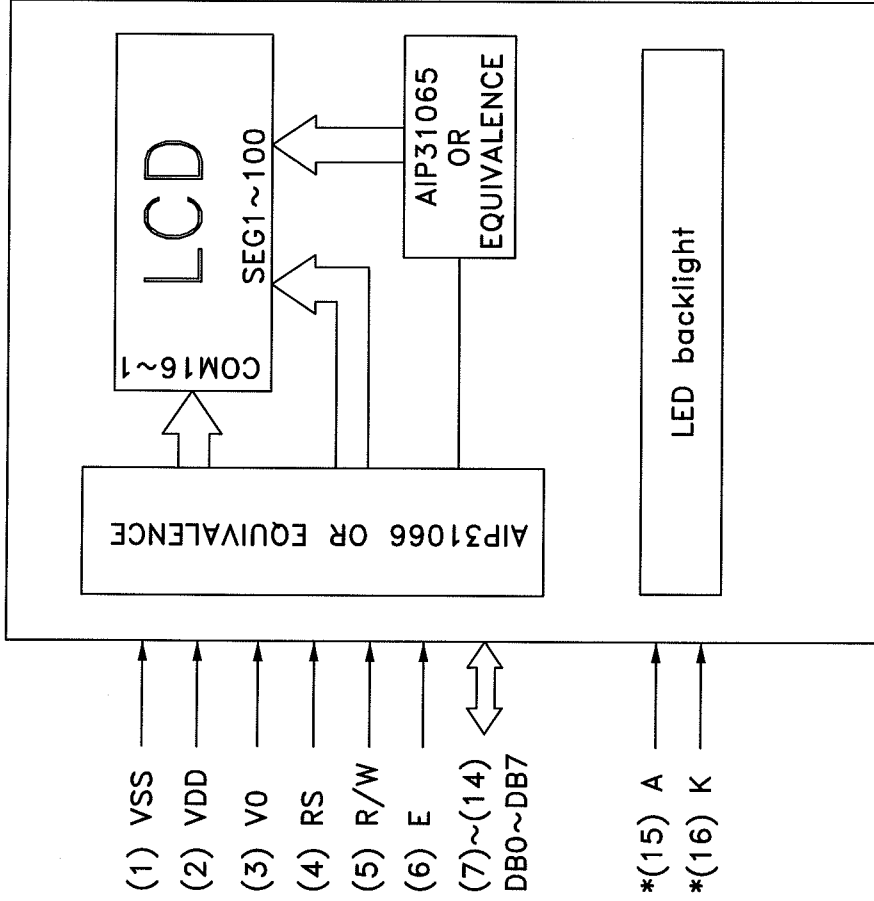


MARK	REASON	PREPARED	DATE
①			
②			
③			
④			



TOLERANCE IF NOT SPECIFY ±0.5mm		SCALE N.T.S.	UNIT IN mm	CLOVER CHINA DISPLAY (SHENZHEN) LTD.		SHEET 1 OF 3
REV.	REVISION RECORD	DATE	CUSTOMER	APPROVED	MODEL NO. ZCV4202N	TITLE: MODULE DIMENSION
00	1st ISSUE	06 JUN 12	AGENT	APPROVED	DRAWN BY: ZHOU.H.Y	DATE: 06 JUN 12
			CUSTOMER REF.	OUR REF.	CHECKED BY: Allen	DATE: 2012.06.06 14:59:47 +0800'
					APPROVED BY: <i>[Signature]</i>	DATE: <i>6/6/12</i>

# BLOCK DIAGRAM



PIN NUMBER	SYMBOL	FUNCTION
1	VSS	Ground
2	VDD	Power supply for logic
3	V0	Input voltage for LCD drive
4	RS	Register select signal
5	R/W	Read/Write
6	E	Enable signal
7	DB0	Data bus line
8	DB1	
9	DB2	
10	DB3	
11	DB4	
12	DB5	
13	DB6	
14	DB7	
*15	A	Backlight power supply (+)
*16	K	Backlight power supply (-)

NOTE (\*) : A,K Pins are used for backlight version

TOLERANCE IF NOT SPECIFY ±0.5mm	SCALE N.T.S.	UNIT IN mm	CLOVER CHINA DISPLAY (SHENZHEN) LTD.	SHEET 2 OF 3
REV. 00	REVISION RECORD 1st ISSUE	DATE 06 JUN 12	CUSTOMER <b>STANDARD</b>	MODEL NO. ZCV4202N
			AGENT	TITLE: PINOUT & BLOCK DIAGRAM
			CUSTOMER REF.	DRAWN BY: ZHOU.H.Y DATE : 06 JUN 12
				CHECKED BY : Allen DATE : 2012.06.06 15:00:05
				APPROVED BY :  DATE : 2012.06.06 15:00:05
			OUR REF.	APPROVED
				APPROVED

1. General specification

Display mode : 20 characters x 2 lines COB LCD module  
 Interface : 4-bit or 8-bit parallel  
 Driving method : 1/16 duty , 1/5 bias

2. Electrical specification


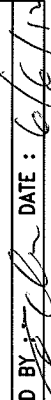
Supply voltage for logic(VDD) : 5.0V  
 Input voltage for LCD (VO) : 0V

3. Mechanical specification

Dot size : 2.75(L)X2.75(W)  
 Dot pitch : 2.85(L)X2.85(W)  
 Character size : 5.9(L)X9.5(W)  
 Character pitch : 7.2(L)X10.6(W)  
 Active area : 142.7(L)x20.1(W)  
 Viewing area : 148.0(L)x23.0(W)  
 Module dimension : 180.0(L)x40.0(W)x14.7MAX.

4. Backlight specification

Backlight type	Backlight color	Backlight voltage (VBL)
Array LED backlight	Yellow Green	5.0V
Side LED backlight	Blue	5.0V

TOLERANCE IF NOT SPECIFY ±0.5mm	SCALE N.T.S.	UNIT IN mm	 CLOVER CHINA DISPLAY (SHENZHEN) LTD.	SHEET 3 OF 3
REV. 00	REVISION RECORD 1st ISSUE	DATE 06 JUN 12	CUSTOMER STANDARD	MODEL NO. ZCV4202N
			AGENT	TITLE: SPECIFICATION
			CUSTOMER REF.	DRAWN BY: ZHOU.H.Y DATE : 06 JUN 12
			OUR REF.	CHECKED BY : Allen DATE : 2012.06.06 15:00:21
				APPROVED BY:  DATE : 6/6/12