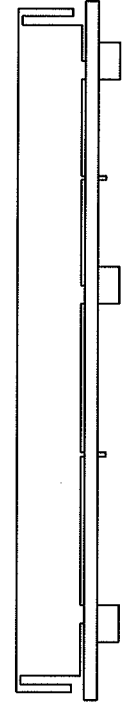
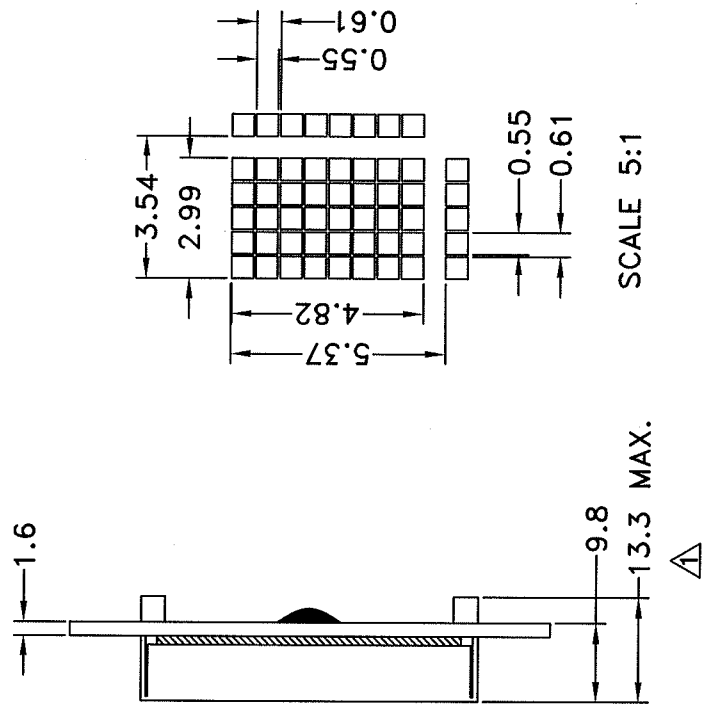
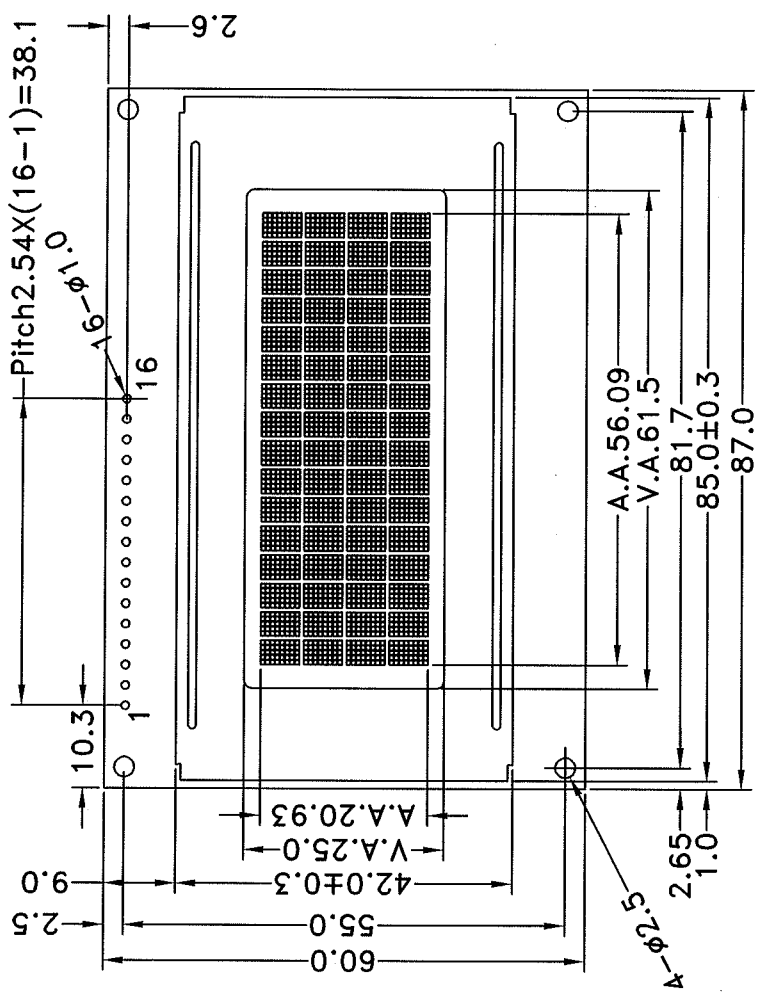
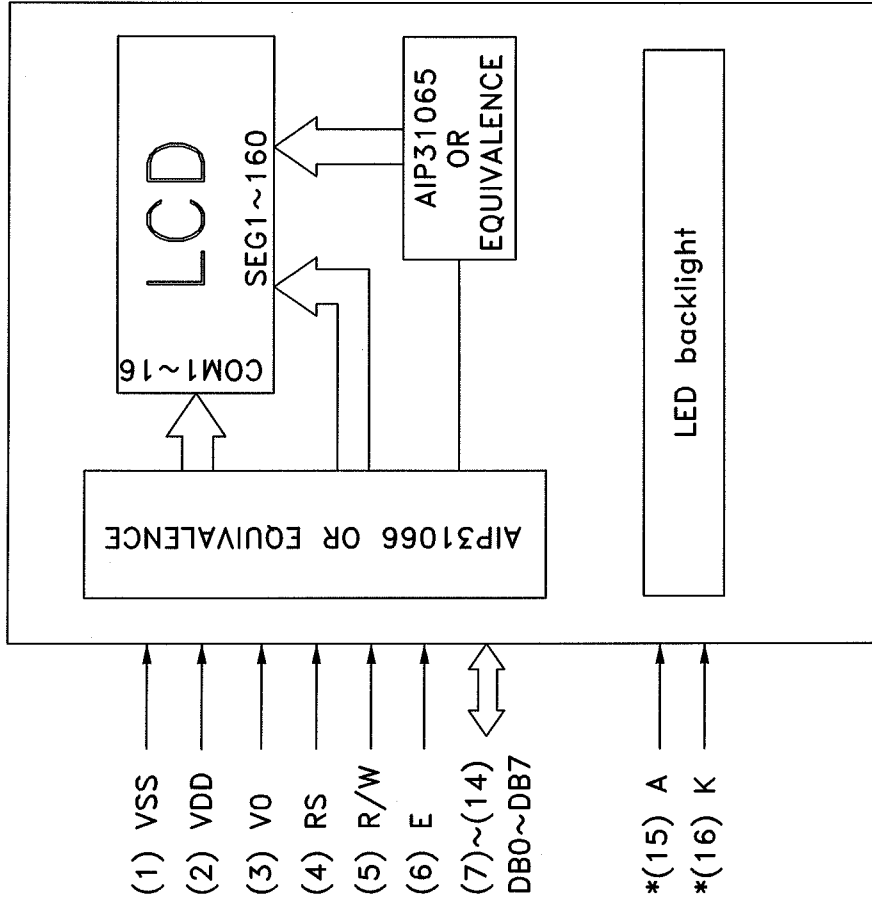


MARK	REASON	PREPARED	DATE
△	Add the backlight specification and modify the module dimension	Allen	05 JUN 12
△			
△			
△			



TOLERANCE IF NOT SPECIFY ±0.5mm		SCALE N.T.S.	UNIT IN mm	CLOVER CHINA DISPLAY (SHENZHEN) LTD.		SHEET 1 OF 3
REV.	REVISION RECORD	CUSTOMER	DATE	APPROVED	MODEL NO. ZCV4164M	TITLE: MODULE DIMENSION
00	1st ISSUE	AGENT	10 APR 12	APPROVED	DRAWN BY: ZHOU.H.Y	DATE: 05 JUN 12
01	Add the backlight specification and modify the module dimension	CUSTOMER REF.	05 JUN 12	OUR REF.	CHECKED BY: Allen	DATE: 05 JUN 12
					APPROVED BY: Allen	DATE: 05 JUN 12

BLOCK DIAGRAM



- (1) VSS
- (2) VDD
- (3) V0
- (4) RS
- (5) R/W
- (6) E
- (7)~(14) DB0~DB7
- *(15) A
- *(16) K


PIN NUMBER	SYMBOL	FUNCTION
1	VSS	Ground
2	VDD	Power supply for logic
3	V0	Input voltage for LCD drive
4	RS	Register select signal
5	R/W	Read/Write
6	E	Enable signal
7	DB0	Data bus line
8	DB1	
9	DB2	
10	DB3	
11	DB4	
12	DB5	
13	DB6	
14	DB7	
*15	A	Backlight power supply (+)
*16	K	Backlight power supply (-)

NOTE (*): A,K Pins are used for backlight version only

TOLERANCE IF NOT SPECIFY ±0.5mm		SCALE N.T.S.	UNIT IN mm	CLOVER CHINA DISPLAY (SHENZHEN) LTD.		SHEET 2 OF 3
REV.	REVISION RECORD	DATE	CUSTOMER	APPROVED	MODEL NO.ZCV4164M	
00	1st ISSUE	10 APR 12	STANDARD	APPROVED	TITLE: PIN OUT & BLOCK DIAGRAM	
01	Add the backlight specification and modify the module dimension	05 JUN 12	AGENT	APPROVED	DRAWN BY: ZHOU.H.Y	DATE: 05 JUN 12
					CHECKED BY: P1	DATE: 05 JUN 12
			CUSTOMER REF.	OUR REF.	APPROVED BY: [Signature]	DATE: 17/6/12

1. General specification
 Display mode : 16 characters x 4 lines COB LCD module
 Interface : 4-bit or 8-bit parallel
 Driving method : 1/16 duty , 1/5 bias
2. Electrical specification
 Supply voltage for logic(VDD) : 5.0V
 Input voltage for LCD (V0) : 0V
3. Mechanical specification
 Dot size : 0.55(L)X0.55(W)
 Dot pitch : 0.61(L)X0.61(W)
 Character size : 2.99(L)X4.82(W)
 Character pitch : 3.54(L)X5.37(W)
 Active area : 56.09(L)x20.93(W)
 Viewing area : 61.5(L)x25.0(W)
 Module dimension : 87.0(L)x60.0(W)x13.3MAX(H). Δ
- Δ 4. Backlight specification

Backlight type	Backlight color	Supply voltage for backlight
Array LED backlight	YELLOW GREEN	5.0V
Side-lited LED backlight	WHITE	5.0V

TOLERANCE IF NOT SPECIFY $\pm 0.5\text{mm}$	SCALE N.T.S.	UNIT IN mm	 CLOVER CHINA DISPLAY (SHENZHEN) LTD.	SHEET 3 OF 3
REV. 00	REVISION RECORD 1st ISSUE	DATE 10 APR 12	CUSTOMER STANDARD	MODEL NO. ZCV4164M
01	Add the backlight specification and modify the module dimension	05 JUN 12	AGENT	TITLE: SPECIFICATION
				DRAWN BY: ZHOU.H.Y DATE : 05 JUN 12
				CHECKED BY: <i>P11</i> DATE : 05 JUN 12
				APPROVED BY: <i>[Signature]</i> DATE : <i>[Signature]</i>
			CUSTOMER REF.	OUR REF.