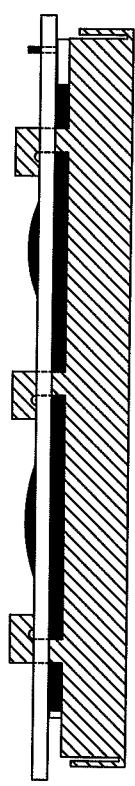
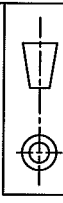
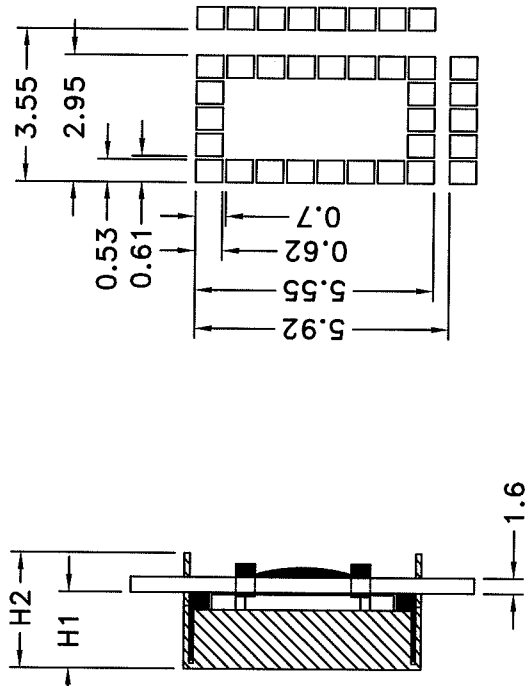
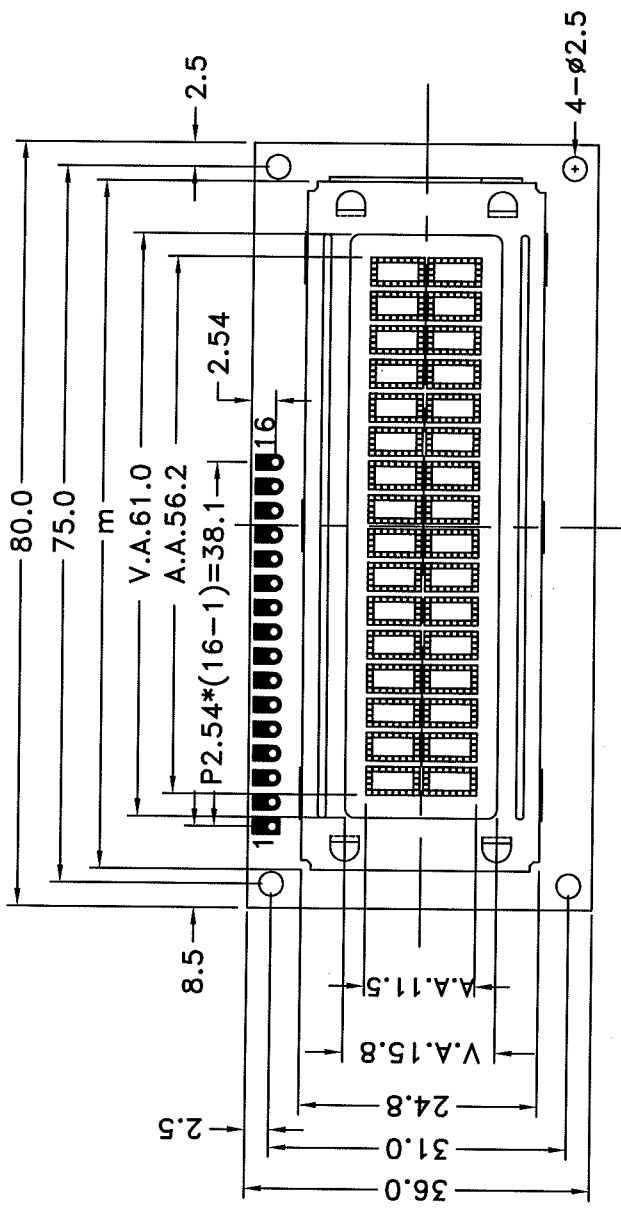


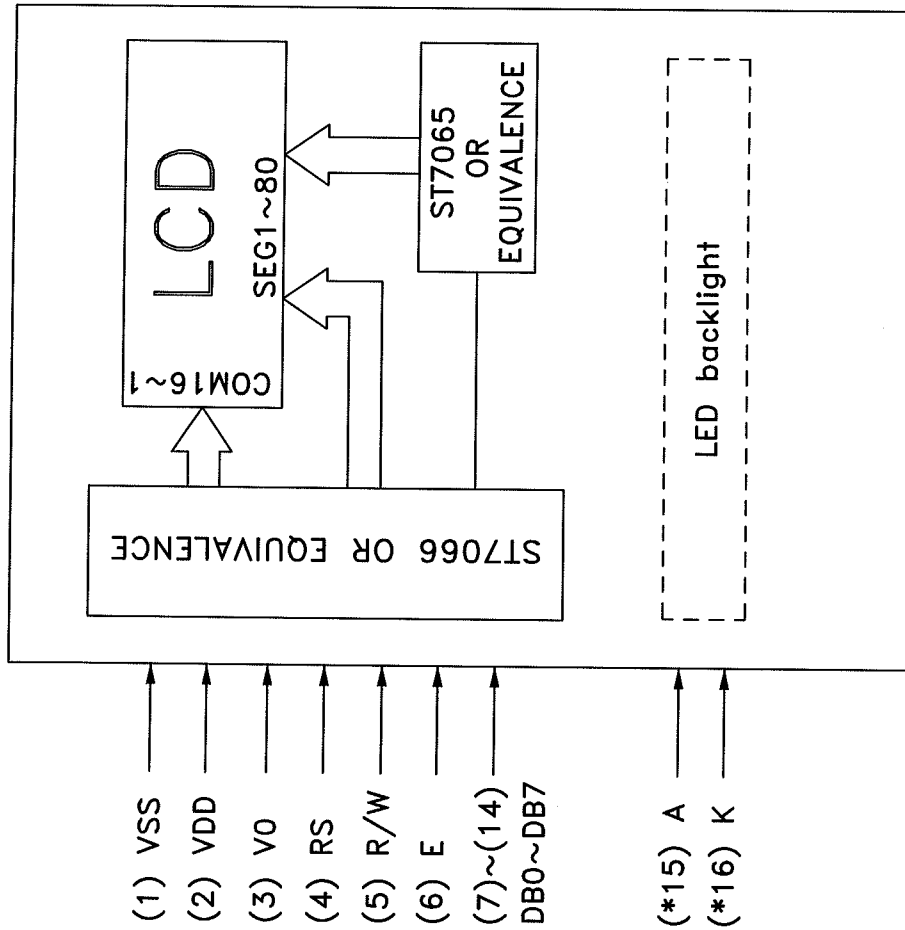
MARK	REASON	PREPARED	DATE
1			
2			
3			
4			



Model	m	H1	H2
No Backlight(N)	66.2	5.0	9.1
LED Backlight(M)	72.0	8.0	12.1
LED Backlight(L)	72.0	8.0	12.1



TOLERANCE IF NOT SPECIFY ±0.5mm		SCALE NOT ON SCALE	UNIT IN mm	CLOVER CHINA DISPLAY (SHENZHEN) LTD.		SHEET 1 OF 3
REV.	REVISION RECORD	DATE	CUSTOMER	MODEL NO.	ZCV4162Q	TITLE: DIMENSION
00	1st ISSUE	10 APR 12	STANDARD	DRAWN BY: PANWU	DATE: 10 APR 12	CHECKED BY: Alex So
			AGENT	OUR REF. ZX4015X	DATE: 12/4/12	APPROVED BY: [Signature]
			CUSTOMER REF.			



PIN NUMBER	SYMBOL	FUNCTION
1	VSS	Power supply for logic (0V)
2	VDD	Power supply for logic (VDD)
3	V0	Input voltage for LCD
4	RS	Register select input
5	R/W	Read/Write
6	E	Enable signal
7	DB0	Data bus
8	DB1	
9	DB2	
10	DB3	
11	DB4	
12	DB5	
13	DB6	
14	DB7	
*15	A	Backlight power supply(VE+)
*16	K	Backlight power supply(VE-)

NOTE (\*) : Pin (15),(16) is used for backlight version only

TOLERANCE IF NOT SPECIFY ±0.5mm		SCALE NOT ON SCALE	UNIT IN mm	CLOVER CHINA DISPLAY (SHENZHEN) LTD.		SHEET 2 OF 3
REV.	REVISION RECORD	DATE	CUSTOMER	APPROVED	MODEL NO.	ZCV4162Q
00	1st ISSUE	10 APR 12	AGENT	APPROVED	TITLE: PINOUT & BLOCK DIAGRAM	
					DRAWN BY: PANWU	DATE : 10 APR 12
					CHECKED BY : Alex So	DATE : 12/4/12
					APPROVED BY: <i>[Signature]</i>	DATE : 12/4/12
			CUSTOMER REF.	OUR REF. ZX4015X		
			STANDARD			

### 1.General specification

Display mode : 16 characters x 2 lines COB LCD module  
 Interface : 4-bit or 8-bit parallel  
 Driving method : 1/16 duty , 1/5 bias

### 2.Electrical specification

Supply voltage for logic(VDD) : 5.0V  
 Input voltage for LCD (V0) : 0.5V

### 3.Mechanical specification

Dot size : 0.53 (L)x0.62 (W)  
 Character size : 2.95 (L)x5.55 (W)  
 Character pitch : 3.55 (L)x5.92 (W)  
 Viewing area[mm] : 61.0 (L)x15.8 (W)  
 Module dimension[mm]  
 : 80.0(L)x36.0(W)x9.1MAX(H2)(No Backlight)  
 : 80.0(L)x36.0(W)x12.1MAX(H2)(Array LED Backlight)  
 : 80.0(L)x36.0(W)x12.1MAX(H2)(Side-lited LED Backlight)

### 4.Backlight specification

Backlight type	Backlight color	Supply voltage for backlight
Array LED backlight	Yellow Green	4.05V@110mA
Side-lited LED backlight	White/Blue	3.40V@30.0mA

TOLERANCE IF NOT SPECIFY ±0.5mm		SCALE NOT ON SCALE	UNIT IN mm	CLOVER CHINA DISPLAY (SHENZHEN) LTD.		SHEET 3 OF 3
REV. 00	REVISION RECORD 1st ISSUE		DATE 10 APR 12	APPROVED	MODEL NO. ZCV4162Q	
				APPROVED	TITLE: SPECIFICATION	
				APPROVED	DRAWN BY: PANWU	DATE : 10 APR 12
					CHECKED BY : Alex	DATE : 12/4/12
					APPROVED BY : <i>[Signature]</i>	DATE : 12/4/12
				OUR REF. ZX4015X		
				CUSTOMER REF.		
				CUSTOMER		
				AGENT		
				CUSTOMER		
				STANDARD		