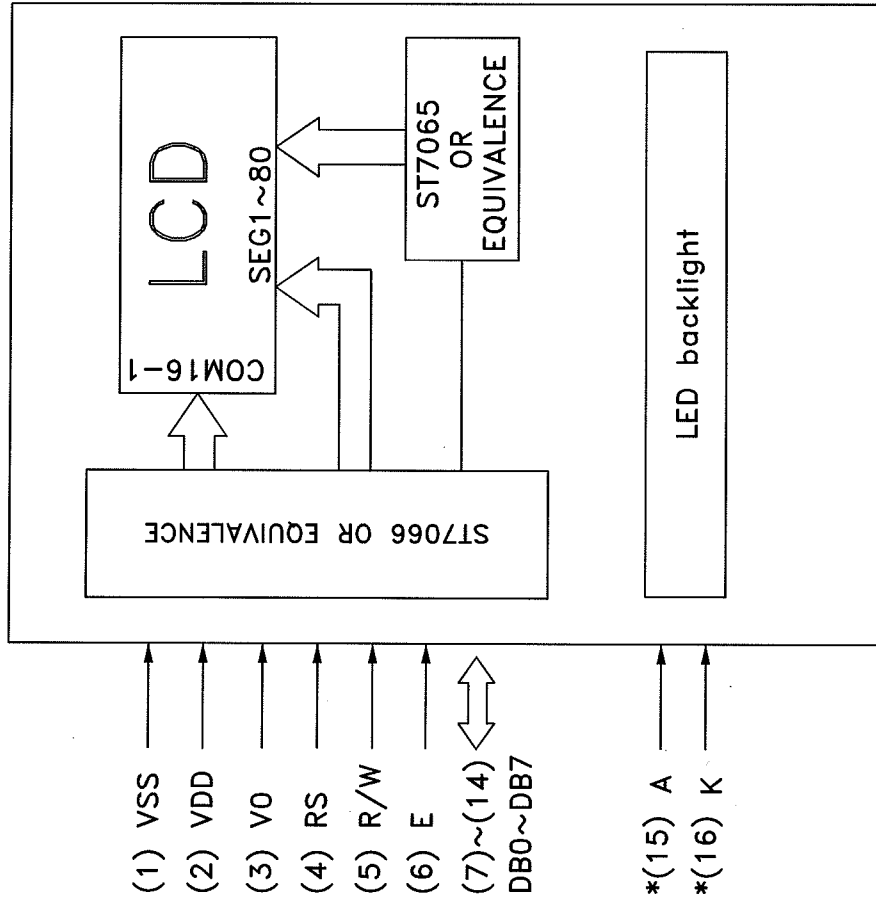




# BLOCK DIAGRAM



PIN NUMBER	SYMBOL	FUNCTION
1	VSS	Power supply for logic (0V)
2	VDD	Power supply for logic (VDD)
3	V0	Input voltage for LCD
4	RS	Register select input
5	R/W	Read/Write
6	E	Enable signal
7	DB0	Data bus
8	DB1	
9	DB2	
10	DB3	
11	DB4	
12	DB5	
13	DB6	
14	DB7	
*15	A	Backlight power supply(+)
*16	K	Backlight power supply(-)

NOTE (\*) : A.K pins are used for LED backlight version

TOLERANCE IF NOT SPECIFY ±0.5mm		SCALE NOT ON SCALE	UNIT IN mm	CLOVER CHINA DISPLAY (SHENZHEN) LTD.		SHEET 2 OF 3
REV. 00	REVISION RECORD 1st ISSUE		DATE 16 MAR 12	APPROVED	MODEL NO. ZCV4162N	
				APPROVED	TITLE: PINOUT & BLOCK DIAGRAM	
					DRAWN BY: PANWU	DATE : 16 MAR 12
					CHECKED BY : LinShaodan	
					APPROVED BY : <i>[Signature]</i>	DATE : 21/3/12
					OUR REF. ZX4017X	
					CUSTOMER REF.	

1. General specification

Display mode : 16 characters x 2 lines LCD module

Interface : 8-bit or 4-bit parallel

Driving method : 1/16 duty , 1/5 bias

2. Electrical specification

Supply voltage for logic : 5.0V

Input voltage for LCD (V0) : 0.5V

3. Mechanical specification

Dot size : 0.54 (L) X 0.49 (W)

Character size : 2.94 (L) X 4.34 (W)

Character pitch : 3.65 (L) X 5.05 (W)

Viewing area[mm] : 64.0(L)x13.8(W)

Module dimension[mm]

: 80.0(L)x36.0(W)x9.1MAX(H2)(No Backlight)

: 80.0(L)x36.0(W)x12.0MAX(H2)(Array LED Backlight)

: 80.0(L)x36.0(W)x11.0MAX(H2)(Side-lited LED Backlight)

4. Backlight specification

Backlight type	Backlight color	Backlight voltage (VBL)
Array LED backlight	Yellow Green	4.2V@100mA
Side LED backlight	Yellow Green	4.25V@40.0mA
	Blue	3.40V@40.0mA

TOLERANCE IF NOT SPECIFY ±0.5mm		SCALE NOT ON SCALE	UNIT IN mm	CLOVER CHINA DISPLAY (SHENZHEN) LTD.		SHEET 3 OF 3
REV. 00	REVISION RECORD 1st ISSUE	DATE 16 MAR 12	CUSTOMER STANDARD	APPROVED	MODEL NO. ZCV4162N	
			AGENT	APPROVED	TITLE: SPECIFICATION	
			CUSTOMER REF.	OUR REF. ZX4017X	DRAWN BY: PANWU	DATE: 16 MAR 12
					CHECKED BY: LinShaopai	
					APPROVED BY: [Signature]	DATE: 24/3/12

ENTER: UOAK  
DATE: 16 MAR 12  
BY: 2012.12.22.12.12.12