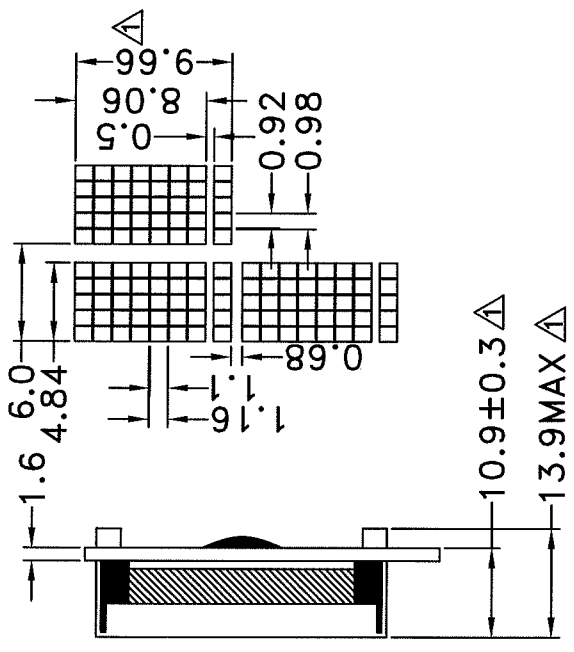
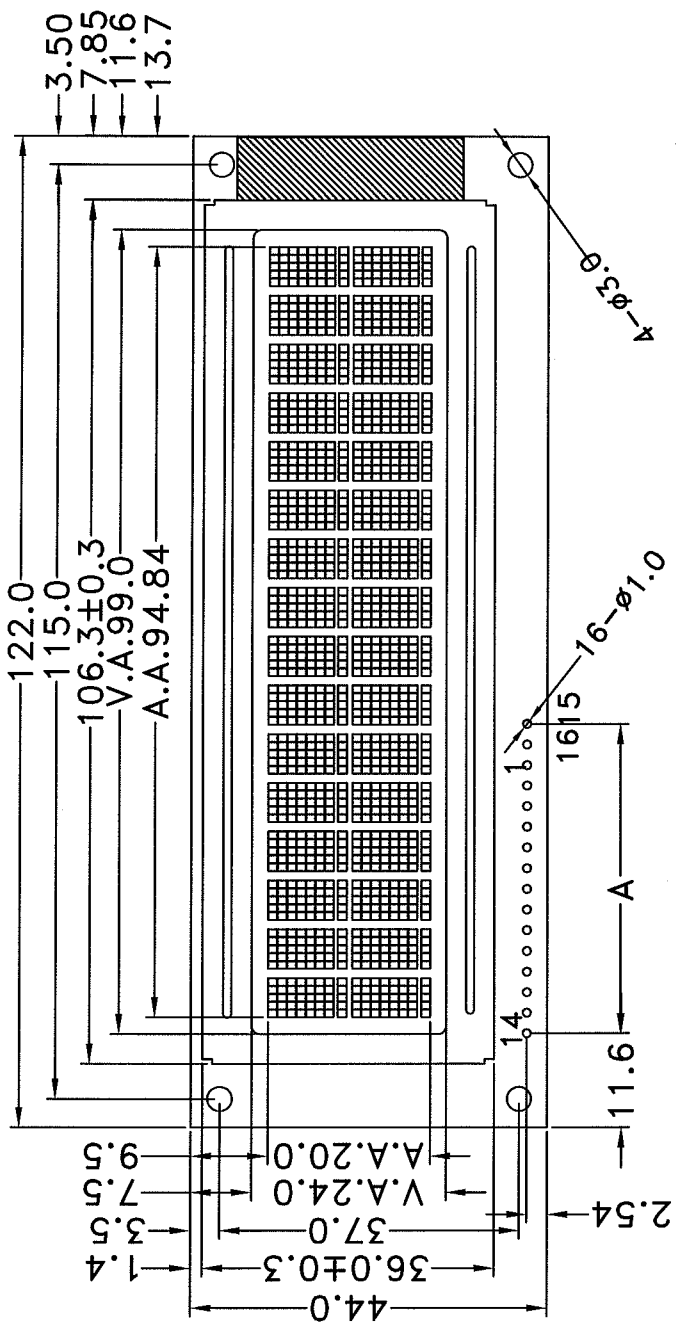
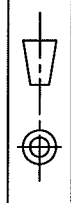


MARK	REASON	PREPARED	DATE
△	Add the backlight specification and modify the module dimension	Allen	06 JUN 12
△			
△			
△			

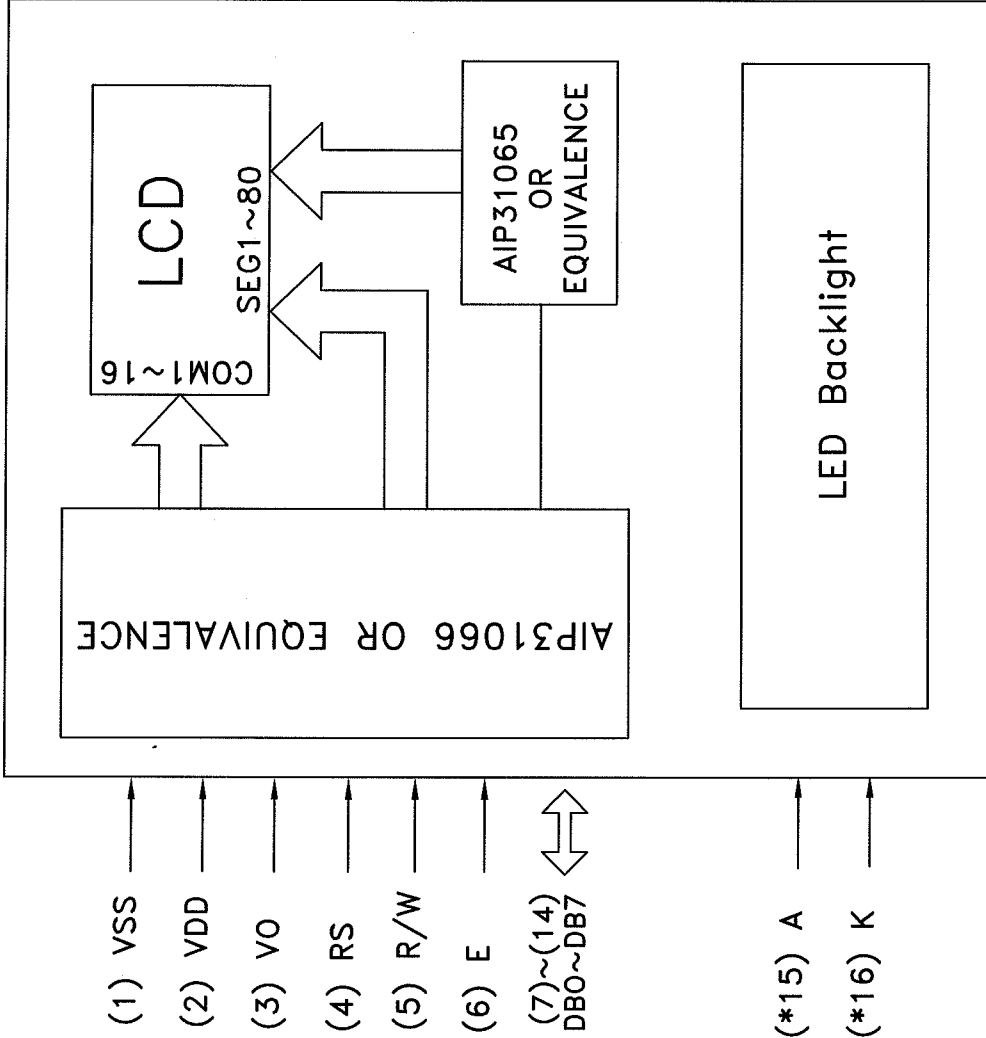


A=PITCH 2.54X(16-1)=38.1



TOLERANCE IF NOT SPECIFY ±0.5mm		SCALE NOT ON SCALE	UNIT IN mm	CLOVER CHINA DISPLAY (SHENZHEN) LTD.		SHEET 1 OF 3
REV.	REVISION RECORD		DATE	CUSTOMER	APPROVED	MODEL NO. ZCV4162M
00	1st ISSUE		29 MAR 12	STANDARD	APPROVED	TITLE: MODULE DIMENSION
01	Add the backlight specification and modify the module dimension		06 JUN 12			DRAWN BY: ZHOU.H.Y DATE: 06 JUN 12
				AGENT	APPROVED	CHECKED BY: Allen DATE: 2012.06.06 16:02:52
				CUSTOMER REF.	OUR REF.	APPROVED BY: <i>[Signature]</i> DATE: 6/6/12

**BLOCK DIAGRAM**



PIN NO.	SYMBOL	FUNCTION
1	VSS	Ground
2	VDD	Power supply for logic
3	VO	Input voltage for LCD drive
4	RS	Register select signal
5	R/W	Read/Write
6	E	Enable signal
7	DB0	Data bus line
8	DB1	
9	DB2	
10	DB3	
11	DB4	
12	DB5	
13	DB6	
14	DB7	
*15	A	Backlight power supply(+)
*16	K	Backlight power supply(-)

NOTE (\*): A,K Pins are used for LED backlight version

TOLERANCE IF NOT SPECIFY ±0.5mm		SCALE NOT ON SCALE	UNIT IN mm	CLOVER CHINA DISPLAY (SHENZHEN) LTD.		SHEET 2 OF 3
REV.	REVISION RECORD	DATE	CUSTOMER	APPROVED	MODEL NO.	ZCV4162M
00	1st ISSUE	29 MAR 12	STANDARD	APPROVED	TITLE:	PIN OUT & BLOCK DIAGRAM
01	Add the backlight specification and modify the module dimension	06 JUN 12	AGENT	APPROVED	DRAWN BY:	ZHOU.H.Y DATE : 06 JUN 12
			CUSTOMER REF.	OUR REF.	CHECKED BY:	Allen DATE : 2012.06.06 16:03:08
					APPROVED BY:	DATE : 6/6/12

1. General specification

Display mode : 16 characters X 2 lines COB LCD module  
 Interface : 4-bit/8-bit parallel  
 Driving method : 1/16 duty , 1/5 bias

2. Electrical specification

Supply voltage for logic : 5.0 V  
 Input voltage for LCD (V0) : 0 V

3. Mechanical specification

Dot size : 0.92(L)X1.10(W)  $\Delta$   
 Dot pitch : 0.98(L)X1.16(W)  
 Character size : 4.84(L)X9.66(W)  $\Delta$   
 Character pitch : 6.00(L)X10.34(W)  $\Delta$   
 Active area : 94.84(L)X20.0(W)  
 Viewing area : 99.0(L)X24.0(W)  
 Module dimension : 122.0(L)X44.0(W)X13.9MAX(H)  $\Delta$

$\Delta$  4. Backlight specification

Backlight type	Backlight color	Supply voltage for backlight
Array LED backlight	YELLOW GREEN	5.0V
Side-lited LED backlight	WHITE	5.0V

TOLERANCE IF NOT SPECIFY $\pm 0.5\text{mm}$		SCALE NOT ON SCALE	UNIT IN mm	CLOVER CHINA DISPLAY (SHENZHEN) LTD.		SHEET 3 OF 3
REV.	REVISION RECORD			CUSTOMER	APPROVED	MODEL NO. ZCV4162M
00	1st ISSUE		DATE 29 MAR 12	STANDARD		TITLE: SPECIFICATION
01	Add the backlight specification and modify the module dimension		DATE 06 JUN 12	AGENT	APPROVED	DRAWN BY: ZHOU.H.Y DATE: 06 JUN 12
				CUSTOMER REF.	OUR REF.	CHECKED BY: Allen DATE: 2012.06.06 16:03:26
						APPROVED BY: <i>[Signature]</i> DATE: 6/6/12