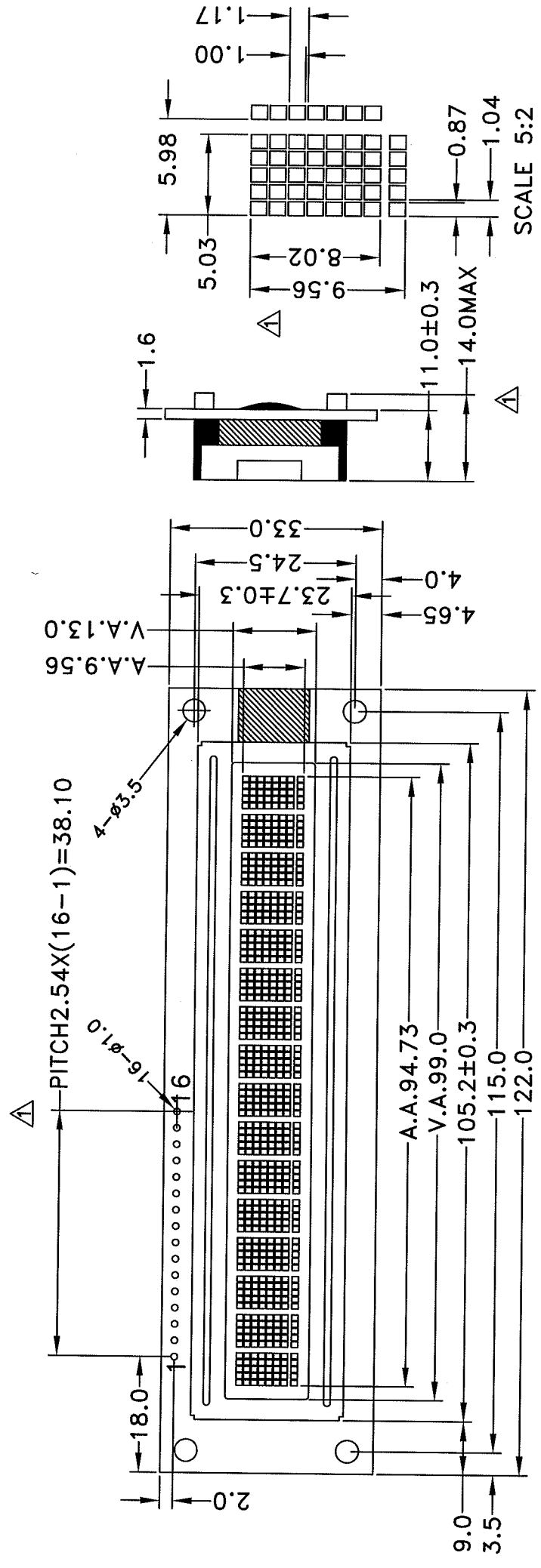
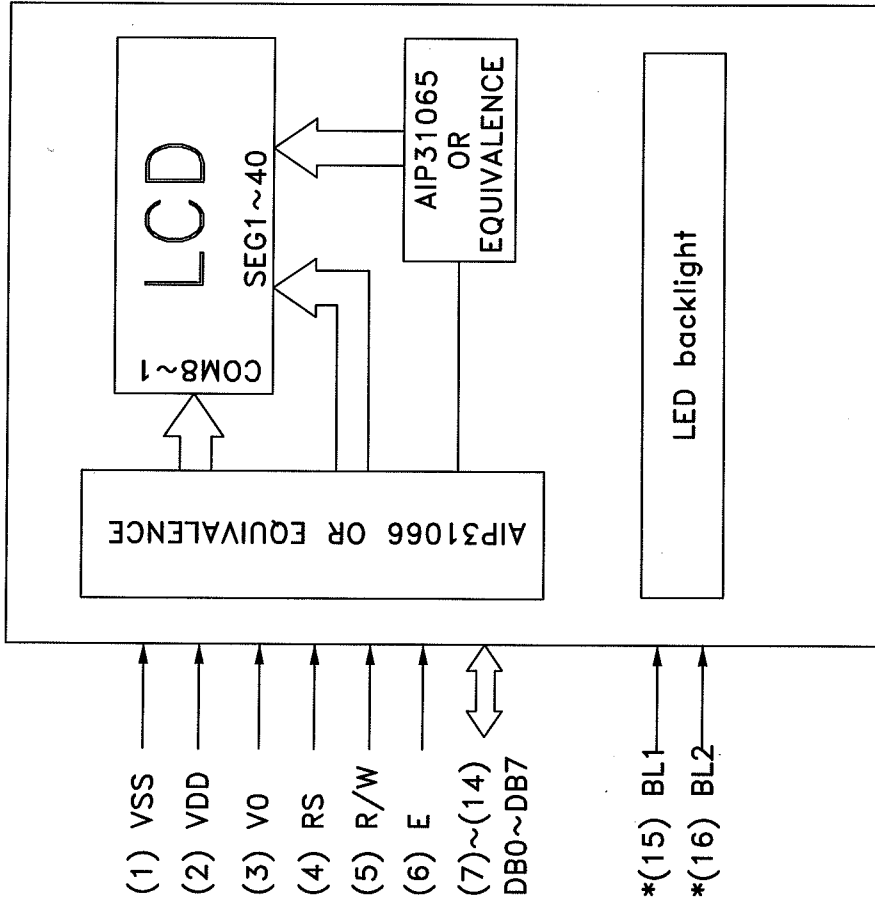


| MARK | REASON | PREPARED | DATE |
|------|---|----------|-----------|
| △ | Modify the backlight specification and module dimension | Alex | 12 APR 12 |
| △ | | | |
| △ | | | |
| △ | | | |



| | | | | | | |
|---------------------------------|---|---------------|------------|--------------------------------------|--|------------------------------------|
| TOLERANCE IF NOT SPECIFY ±0.5mm | | SCALE N.T.S. | UNIT IN mm | CLOVER CHINA DISPLAY (SHENZHEN) LTD. | | SHEET 1 OF 3 |
| REV. | REVISION RECORD | CUSTOMER | | APPROVED | | MODEL NO. ZCV4161M |
| 00 | 1st ISSUE | AGENT | | APPROVED | | TITLE: MODULE DIMENSION |
| 01 | Modify the backlight specification and module dimension | CUSTOMER REF. | | OUR REF. | | DRAWN BY: ZHOU.H.Y DATE: 12 APR 12 |
| | | | | | | CHECKED BY: Alex So DATE: 12/4/12 |
| | | | | | | APPROVED BY: Alex So DATE: 12/4/12 |

BLOCK DIAGRAM



| PIN NUMBER | SYMBOL | FUNCTION |
|------------|--------|------------------------------|
| 1 | VSS | Power supply for Logic (0V) |
| 2 | VDD | Power supply for Logic (+5V) |
| 3 | V0 | Input voltage for LCD |
| 4 | RS | Register select input |
| 5 | R/W | Read/Write |
| 6 | E | Enable signal |
| 7 | DB0 | Data bus |
| 8 | DB1 | |
| 9 | DB2 | |
| 10 | DB3 | |
| 11 | DB4 | |
| 12 | DB5 | |
| 13 | DB6 | |
| 14 | DB7 | |
| *15 | BL1 | Backlight power supply (VE+) |
| *16 | BL2 | Backlight power supply (VE-) |

NOTE (*) : Pin (15) (16) is used for backlight version only

| | | | | | | |
|------------------------------------|---|-----------------|------------|--------------------------------------|--|---|
| TOLERANCE IF NOT SPECIFY ±0.5mm | | SCALE N.T.S. | UNIT IN mm | CLOVER CHINA DISPLAY (SHENZHEN) LTD. | | SHEET 2 OF 3 |
| REV. | REVISION RECORD | DATE | | APPROVED | | MODEL NO. ZCV4161M |
| 00 | 1st ISSUE | 29 MAR 12 | | APPROVED | | TITLE: PIN OUT & BLOCK DIAGRAM |
| 01 | Modify the backlight specification and module dimension | 12 APR 12 | | APPROVED | | DRAWN BY: ZHOU.H.Y DATE : 12 APR 12 |
| | | | | OUR REF. | | CHECKED BY : Alex S... DATE : 12/4/12 |
| | | | | CUSTOMER REF. | | APPROVED BY: [Signature] DATE : 12/4/12 |
| | | | | AGENT | | |
| | | | | CUSTOMER | | |
| | | | | STANDARD | | |

1.General specification

Display mode : 16 characters x 1 lines LCD module
 Interface : 4-bit or 8-bit parallel
 Driving method : 1/16 duty , 1/5 bias

2.Electrical specification



Supply voltage for logic(VDD) : 5.0V
 Input voltage for LCD (V0) : 0V

3.Mechanical specification

Dot size : 0.87(L)X1.00(W)
 Character size : 5.03(L)X9.56(W)
 Character pitch : 5.98(L)X9.56(W)
 Viewing area[mm] : 99.0(L)x13.0(W)
 Module dimension[mm] : 122.0(L)x33.0(W)x4.0(H)MAX.

4.Backlight specification

| | | |
|--------------------------|-----------------|------------------------------|
| Backlight type | Backlight color | Supply voltage for backlight |
| Array LED backlight | YELLOW GREEN | 5.0V@150mA |
| Side-lited LED backlight | WHITE | 5.0V@16mA |

| | | | | |
|------------------------------------|---|-------------------|--|---|
| TOLERANCE IF NOT SPECIFY ±0.5mm | SCALE N.T.S. | UNIT IN mm |  CLOVER CHINA DISPLAY (SHENZHEN) LTD. | SHEET 3 OF 3 |
| REV. 00 | REVISION RECORD 1st ISSUE | DATE 29 MAR 12 | CUSTOMER STANDARD | MODEL NO.ZCV4161M |
| 01 | Modify the backlight specification and module dimension | 12 APR 12 | AGENT | TITLE: SPECIFICATION |
| | | | | DRAWN BY: ZHOU.H.Y DATE : 12 APR 12 |
| | | | | CHECKED BY : Alex So DATE : 12/4/12 |
| | | | | APPROVED BY:  DATE : 12/4/12 |
| | | | CUSTOMER REF. | OUR REF. |