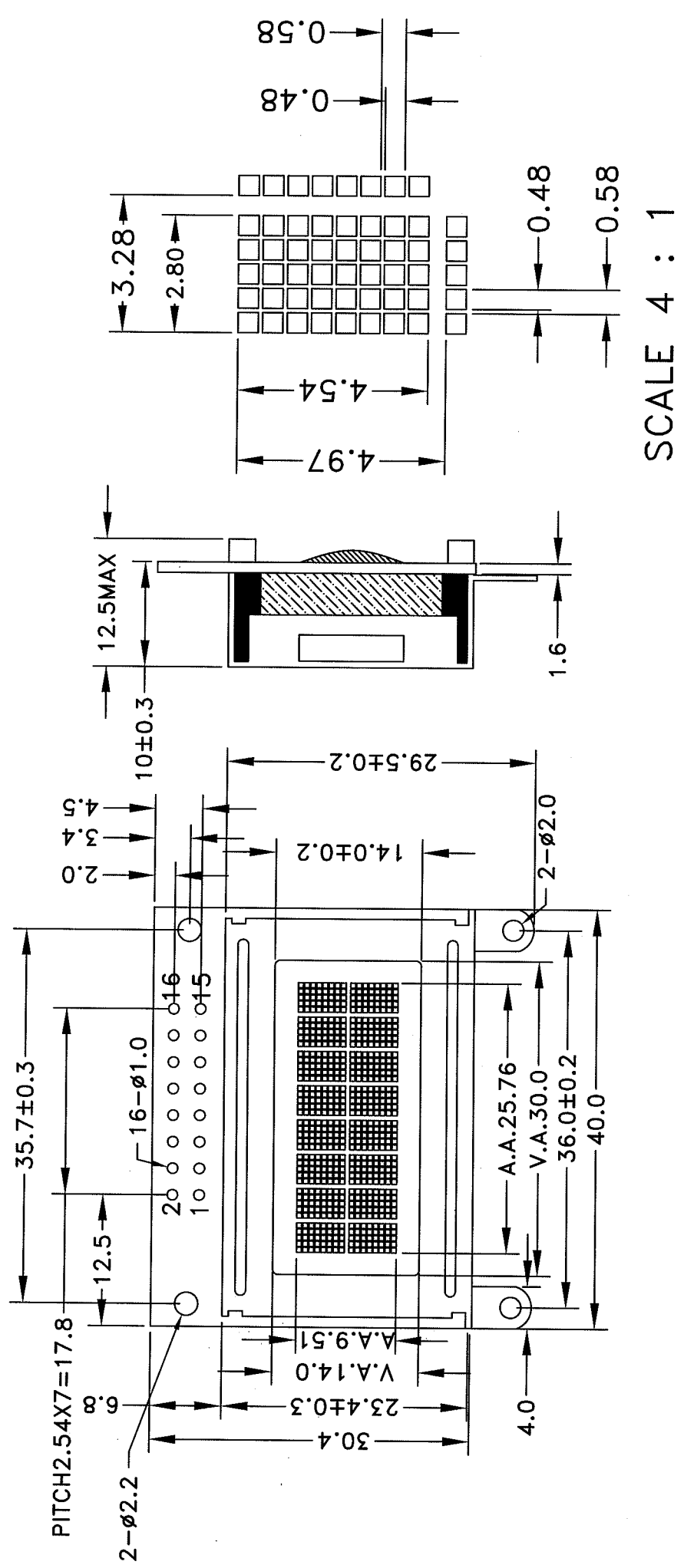


MARK	REASON	PREPARED	DATE
△			
△			
△			
△			



TOLERANCE IF NOT SPECIFY ±0.5mm		SCALE NOT ON SCALE	UNIT IN mm	CLOVER CHINA DISPLAY (SHENZHEN) LTD.		SHEET 1 OF 3
REV.	REVISION RECORD	DATE	CUSTOMER	APPROVED	MODEL NO. ZCV4082N	TITLE: DIMENSION
00	1st ISSUE	30 MAR 12	AGENT	APPROVED	DRAWN BY: PANWU	DATE: 30 MAR 12
			CUSTOMER REF.	OUR REF.	CHECKED BY: Alex So	DATE: 2 April 12
					APPROVED BY: <i>[Signature]</i>	DATE: 2 April 12

(1) VSS

(2) VDD

(3) VO

(4) RS

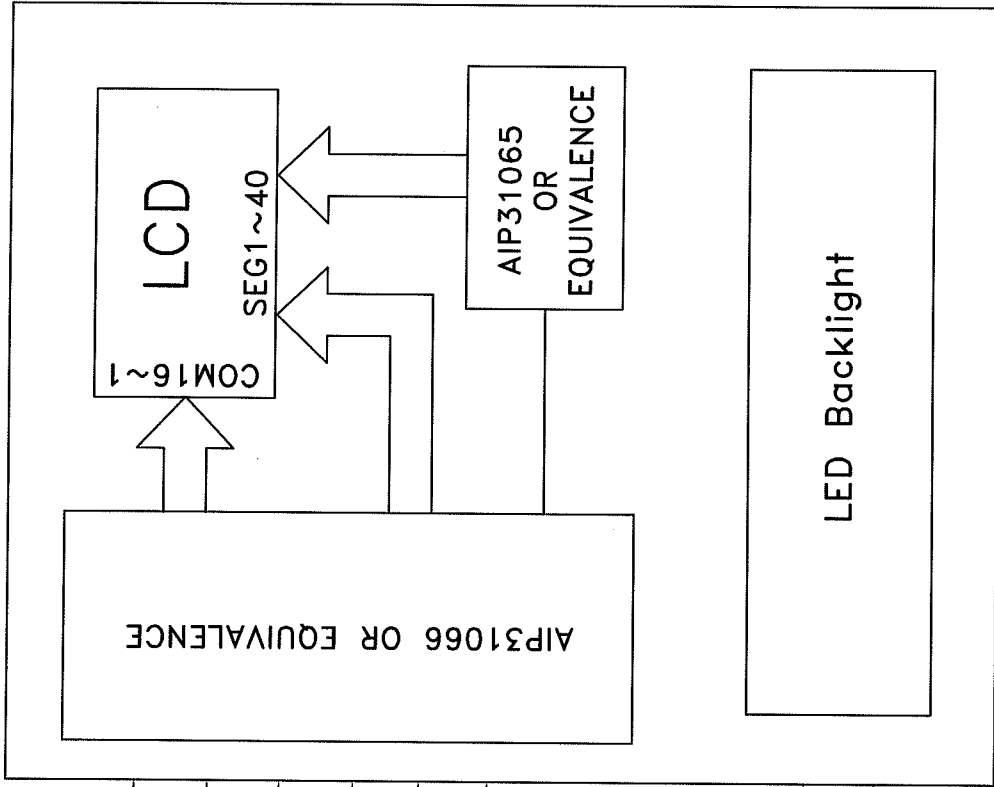
(5) R/W

(6) E

(7)~(14)
DB0~DB7

*(15) A

*(16) K



PIN NO.	SYMBOL	FUNCTION
1	VSS	Ground(0V)
2	VDD	Power supply voltage for logic
3	VO	Input voltage for LCD drive
4	RS	Register select input
5	R/W	Read / Write
6	E	Enable signal
7	DB0	Data bus line
8	DB1	
9	DB2	
10	DB3	
11	DB4	
12	DB5	
13	DB6	
14	DB7	
*15	A	Backlight power supply(+)
*16	K	Backlight power supply(-)

NOTE (*) :A,K pins are used for LED backlight version

TOLERANCE IF NOT SPECIFY ±0.5mm		SCALE NOT ON SCALE	UNIT IN mm	CLOVER CHINA DISPLAY (SHENZHEN) LTD.		SHEET 2 OF 3
REV. 00	REVISION RECORD 1st ISSUE	DATE 30 MAR 12	CUSTOMER	APPROVED	MODEL NO.ZCV4082N	
			AGENT	APPROVED	TITLE: PIN OUT & BLOCK DIAGRAM	
			CUSTOMER REF.	OUR REF.	DRAWN BY: PANWU	DATE : 30 MAR 12
					CHECKED BY : Alex Su	DATE : 2 April 12
					APPROVED BY : <i>[Signature]</i>	DATE : 27 4/12

1. General specification

Display mode : 8 characters X 2 lines COB LCD module
 Interface : 4-bit/8-bit parallel
 Driving method : 1/16 duty , 1/5 bias

2. Electrical specification

Supply voltage for logic : 5.0 V
 Input voltage for LCD : 0 V

3. Mechanical specification

Dot size : 0.48 (L) X 0.48 (W)
 Dot pitch : 0.58 (L) X 0.58 (W)
 Character size : 2.80 (L) X 4.54 (W)
 Character pitch : 3.28 (L) X 4.97 (W)
 Active area : 25.76 (L) X 9.51 (W)
 Viewing area : 30.0 (L) X 14.0 (W)
 Module dimension : 40.0 (L) X 30.4 (W) X 12.5MAX (H)

4. Backlight specification

Backlight type : Array LED backlight
 Backlight color : Yellow green
 Supply voltage for backlight : 5.0V@60mA

TOLERANCE IF NOT SPECIFY ±0.5mm		SCALE NOT ON SCALE	UNIT IN mm	CLOVER CHINA DISPLAY (SHENZHEN) LTD.		SHEET 3 OF 3
REV.	REVISION RECORD			APPROVED	MODEL NO. ZCV4082N	
00	1st ISSUE		DATE 30 MAR 12	APPROVED	TITLE: SPECIFICATION	
				OUR REF.	DRAWN BY: PANWU	DATE: 30 MAR 12
					CHECKED BY: Alex So	DATE: 2 April 12
					APPROVED BY: <i>[Signature]</i>	DATE: 27 Apr
					CUSTOMER REF.	
					CUSTOMER	
					AGENT	
					STANDARD	