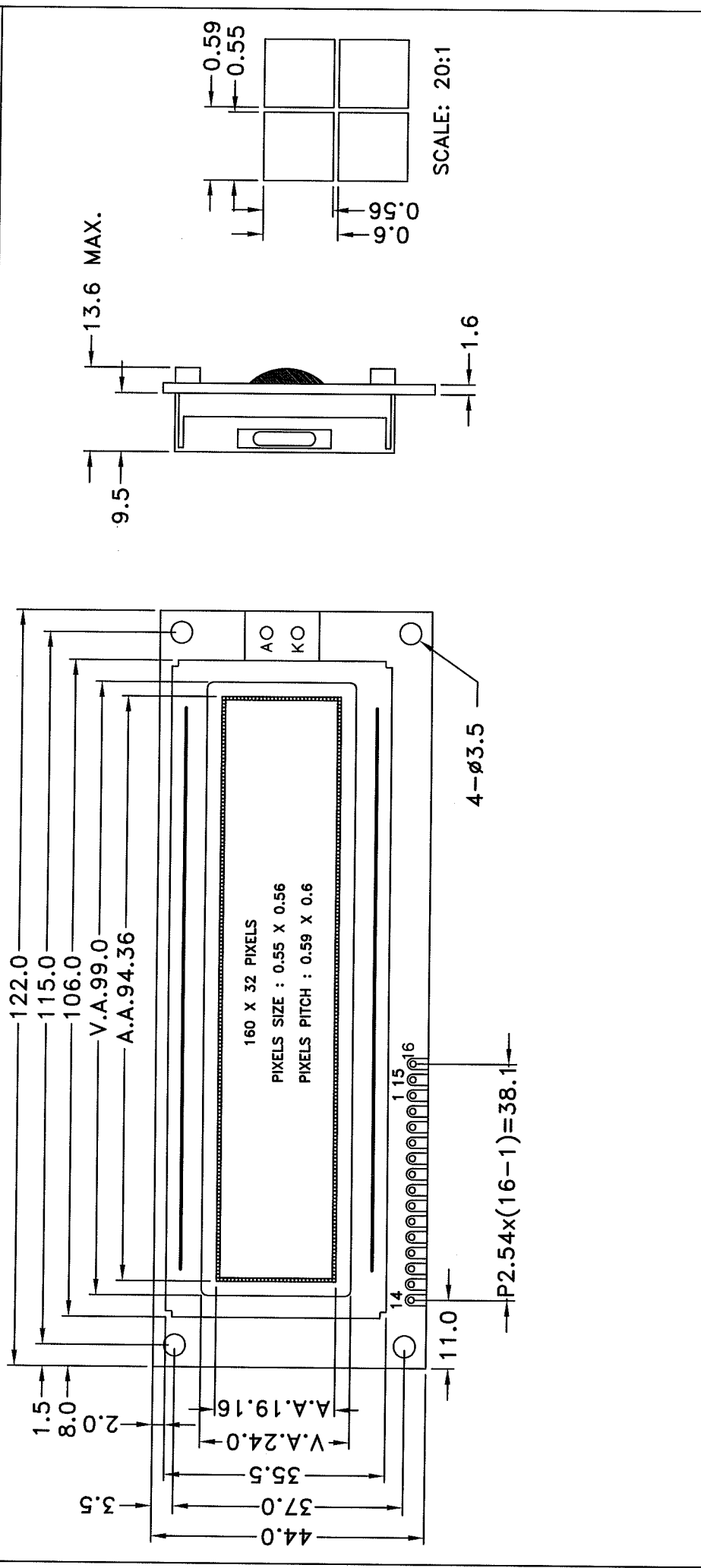
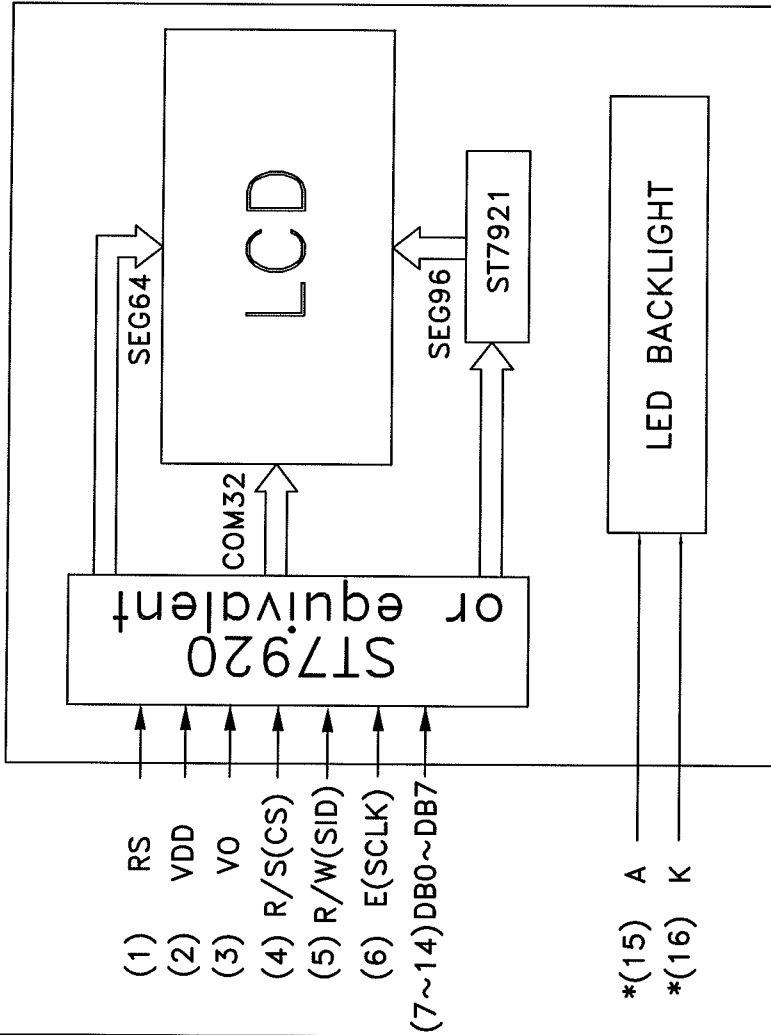


MARK	REASON	PREPARED	DATE
①			
②			
③			
④			



TOLERANCE IF NOT SPECIFY ±0.5mm		SCALE NOT ON SCALE	UNIT IN mm	CLOVER CHINA DISPLAY (SHENZHEN) LTD.		SHEET 1 OF 3
REV.	REVISION RECORD		DATE	CUSTOMER	APPROVED	MODEL NO. ZCV16032M
00	1st ISSUE		15 MAR 12	STANDARD	APPROVED	TITLE: DIMENSION
				AGENT	APPROVED	DRAWN BY: ZHOU.H.Y DATE :15 MAR 12
				CUSTOMER REF.	OUR REF. ZX4036X	CHECKED BY : Alex So DATE :15 MAR 12
						APPROVED BY: <i>[Signature]</i> DATE :23/3/12

BLOCK DIAGRAM



PIN NO.	SYMBOL	FUNCTION
14	DB7	Data bus
13	DB6	
12	DB5	
11	DB4	
10	DB3	
9	DB2	
8	DB1	
7	DB0	Enable signal
6	E(SCLK)	
5	R/W(SID)	H:Read L:Write
4	R/S(CS)	H:Data L:Instruction Code
3	VO	Operating voltage for LCD
2	VDD	Supply voltage for logic
1	VSS	Ground
*15	A	Backlight anode(+5V)
*16	K	Backlight cathode(0V)

NOTE (*): Pin (15) (16) is used for backlight version only

TOLERANCE IF NOT SPECIFY ±0.5mm	SCALE NOT ON SCALE	UNIT IN mm	CLOVER CHINA DISPLAY (SHENZHEN) LTD.		SHEET 2 OF 3
REV. 00	REVISION RECORD 1st ISSUE	DATE 15 MAR 12	CUSTOMER		MODEL NO. ZCV16032M
			AGENT		TITLE: PINOUT & BLOCK DIAGRAM
			OUR REF. ZX4036X		DRAWN BY: ZHOU.H.Y DATE :15 MAR 12
			APPROVED		CHECKED BY : Alex So DATE :15 MAR 12
			APPROVED		APPROVED BY: Alex So DATE :15 MAR 12

1.General specification

Display mode : 160 X 32 Dots Graphic COB LCD Module
 Interface : 4-bit or 8-bit parallel or serial
 Driving method : 1/32 duty , 1/6 bias

2.Electrical specification

Supply voltage for logic(VDD) : 5.0V
 Input voltage for LCD (VO) : 5.0V

3.Mechanical specification

Dot size[mm] : 0.55(L)x0.56(W)
 Dot pitch[mm] : 0.59(L)x0.6(W)
 Viewing area[mm] : 99.0(L)x24.0(W)
 Module dimension[mm] : 122.0(L)x44.0(W)x13.6MAX.(H)

4.Backlight specification

Backlight type	Backlight color	Supply voltage for backlight
Array LED backlight	YELLOW GREEN	5.0V@240mA
Side-lited LED backlight	WHITE	5.0V@90mA

TOLERANCE IF NOT SPECIFY ±0.5mm		SCALE NOT ON SCALE	UNIT IN mm	CLOVER CHINA DISPLAY (SHENZHEN) LTD.		SHEET 3 OF 3
REV.	REVISION RECORD		DATE	CUSTOMER	APPROVED	MODEL NO. ZCV16032M
00	1st ISSUE		15 MAR 12			TITLE: SPECIFICATION
				AGENT	APPROVED	DRAWN BY: ZHOU.H.Y DATE :15 MAR 12
				CUSTOMER REF.	OUR REF. ZX4036X	CHECKED BY : Alex So DATE :15 MAR 12
						APPROVED BY: <i>[Signature]</i> DATE :28/3/12