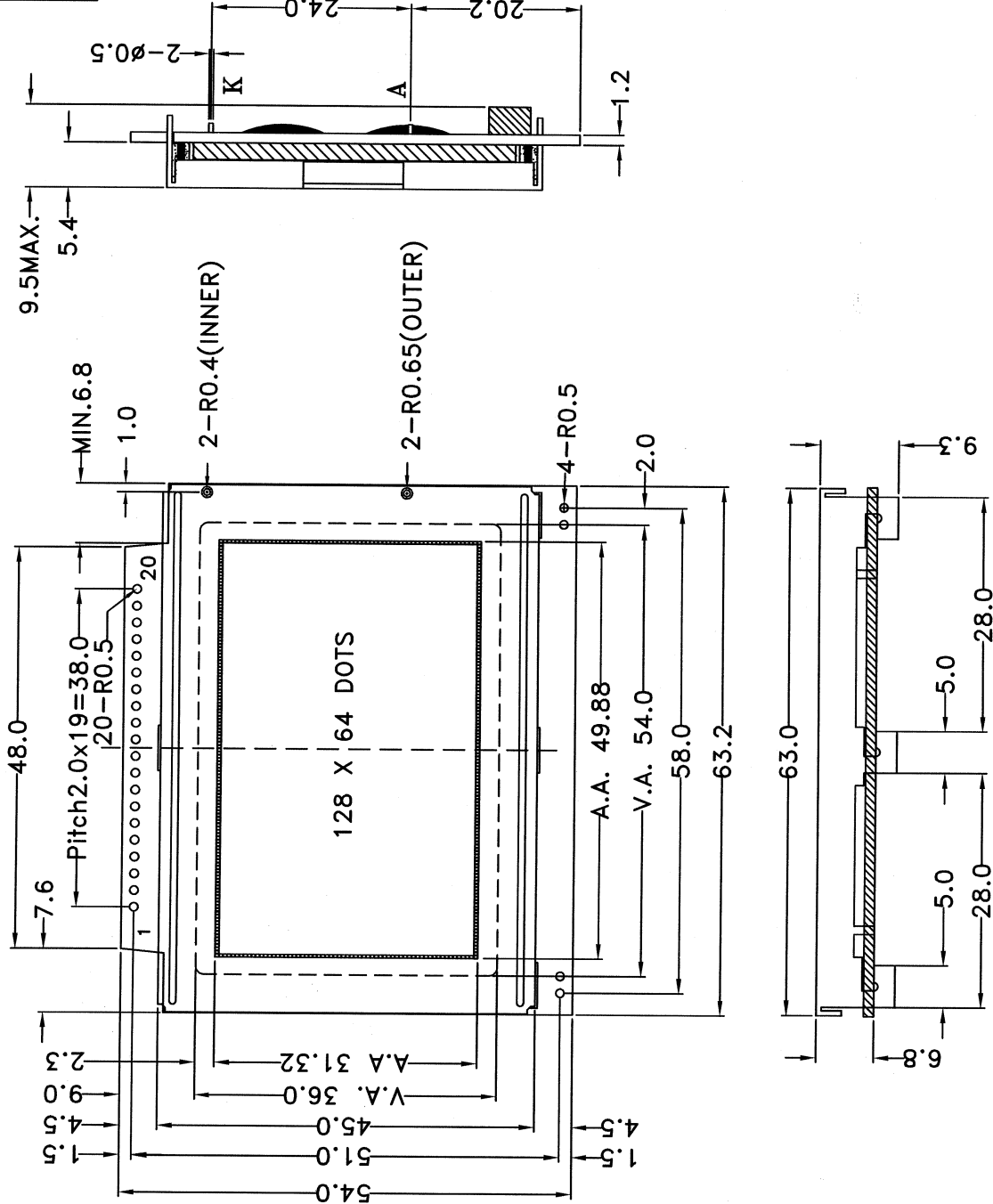


| MARK | REASON | PREPARED | DATE |
|------|--------|----------|------|
| △ | | | |
| △ | | | |
| △ | | | |
| △ | | | |

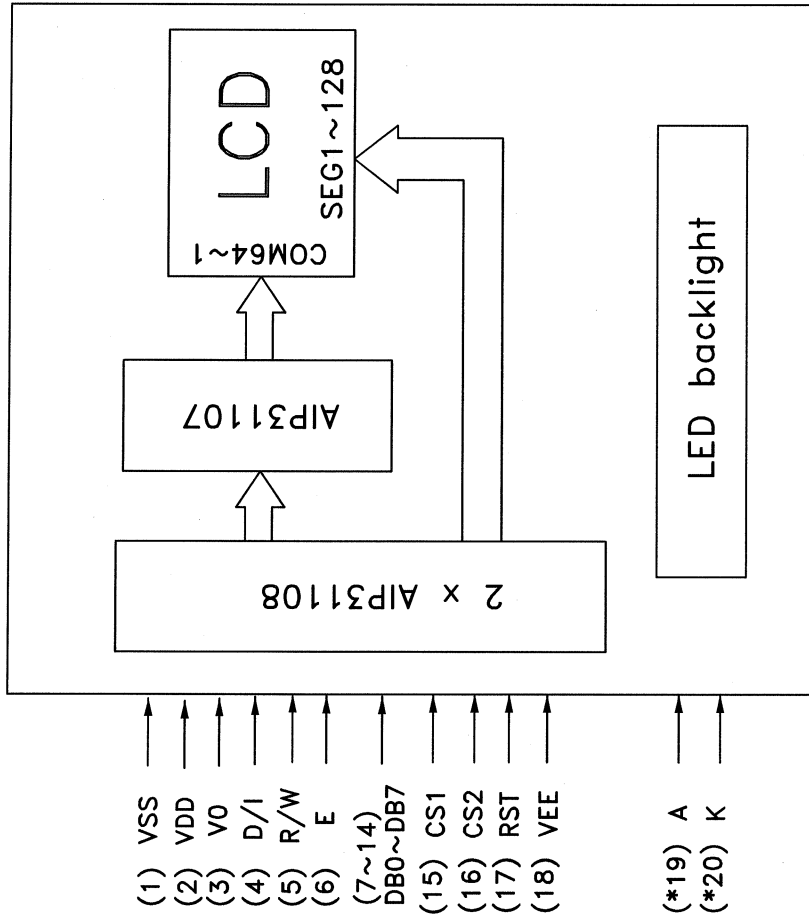


| | | | | | | |
|---------------------------------|---------------------------|--------------------|-------------------|--------------------------------------|--------------------------|-----------------|
| TOLERANCE IF NOT SPECIFY ±0.5mm | | SCALE NOT ON SCALE | UNIT IN mm | CLOVER CHINA DISPLAY (SHENZHEN) LTD. | | SHEET 1 OF 3 |
| REV. 00 | REVISION RECORD 1st ISSUE | DATE 10 APR 12 | CUSTOMER STANDRAD | APPROVED | MODEL NO. ZCV12864M | |
| | | | AGENT | APPROVED | TITLE: DIMENSION | |
| | | | | | DRAWN BY: PANWU | DATE: 10 APR 12 |
| | | | | | CHECKED BY: LinShao | DATE: 10 APR 12 |
| | | | | | APPROVED BY: [Signature] | DATE: 10/4/12 |
| | | | CUSTOMER REF. | OUR REF. ZX4028 | | |



SCALE 40 : 1

BLOCK DIAGRAM



| PIN | SYMBOL | FUNCTION |
|-----|--------|---------------------------------------|
| 1 | VSS | Ground(0V) |
| 2 | VDD | Supply voltage for logic |
| 3 | V0 | Supply voltage for LCD |
| 4 | D/I | Register select signal |
| 5 | R/W | Data read / Write |
| 6 | E | Enable clock |
| 7 | DB0 | Date bus line |
| 8 | DB1 | |
| 9 | DB2 | |
| 10 | DB3 | |
| 11 | DB4 | |
| 12 | DB5 | |
| 13 | DB6 | |
| 14 | DB7 | |
| 15 | CS1 | Chip enable |
| 16 | CS2 | Reset signal |
| 17 | RST | Generated by internal DC/DC converter |
| 18 | VEE | Backlight power supply(+) |
| *19 | A | Backlight power supply(-) |
| *20 | K | Backlight power supply(-) |

Note : pin(*19),(*20) are used for backlight version only

| | | | | | | |
|------------------------------------|-----------------|-----------------------|---------------|--------------------------------------|--------------|-------------------------|
| TOLERANCE IF NOT SPECIFY ±0.5mm | | SCALE NOT ON SCALE | UNIT IN mm | CLOVER CHINA DISPLAY (SHENZHEN) LTD. | | SHEET 2 OF 3 |
| REV. | REVISION RECORD | DATE | CUSTOMER | APPROVED | MODEL NO. | ZCV12864M |
| 00 | 1st ISSUE | 10 APR 12 | STANDRAD | APPROVED | TITLE: | PINOUT & BLOCK DIAGRAM |
| | | | AGENT | | DRAWN BY: | PANWU DATE :10 APR 12 |
| | | | CUSTOMER REF. | | CHECKED BY: | LinShao DATE :10 APR 12 |
| | | | | OUR REF. ZX4028 | APPROVED BY: | DATE 10/4/12 |

1. General specification

Display mode : 128 x 64 dots COB LCD module
 Interface : 8 bit parallel
 Driving method : 1/64 duty , 1/9 bias

2. Electrical specification

Supply voltage for logic (VDD) : 5.0V
 Operating voltage for LCD (VLCD) : 9.5V
 Supply voltage for LCD (V0) : -4.5V

3. Mechanical specification

Dot size : 0.35(L) X 0.45(W)
 Dot pitch : 0.39(L) X 0.49(W)
 Viewing area : 54.0(L) X 36.0(W)
 Module dimension : 63.2(L) X 54.0(W) X 9.5MAX.(H)

4. Backlight specification

Backlight type : Side-lited LED
 Backlight color : White/Blue
 Supply voltage for backlight : 5.0V@60mA

| | | | | | | |
|------------------------------------|-----------------|-----------------------|-------------------|--------------------------------------|---------------|---------------------------------|
| TOLERANCE IF NOT SPECIFY ±0.5mm | | SCALE NOT ON SCALE | UNIT IN mm | CLOVER CHINA DISPLAY (SHENZHEN) LTD. | | SHEET 3 OF 3 |
| REV. | REVISION RECORD | | | APPROVED | MODEL NO. | ZCV12864M |
| 00 | 1st ISSUE | | DATE 10 APR 12 | APPROVED | TITLE: | SPECIFICATION |
| | | | | APPROVED | DRAWN BY: | PANWU DATE :10 APR 12 |
| | | | | APPROVED | CHECKED BY : | LinShao DATE :10 APR 12 |
| | | | | OUR REF. ZX4028 | APPROVED BY: | <i>[Signature]</i> DATE :04/4/n |
| | | | | | CUSTOMER REF. | |
| | | | | | CUSTOMER | |
| | | | | | AGENT | |