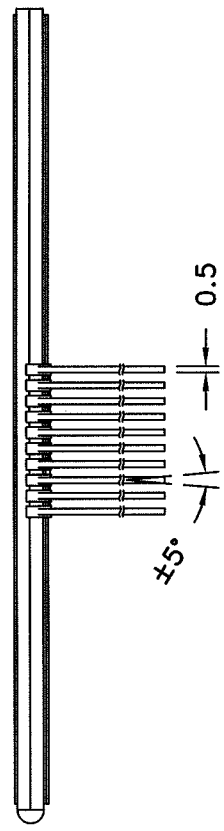
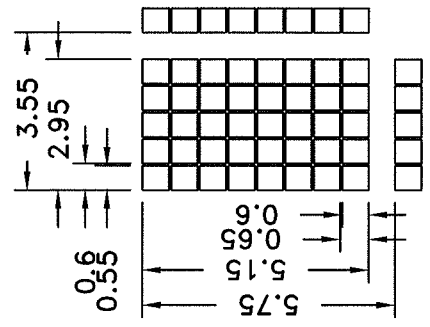
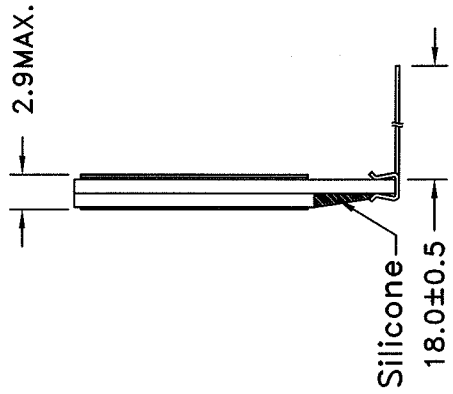
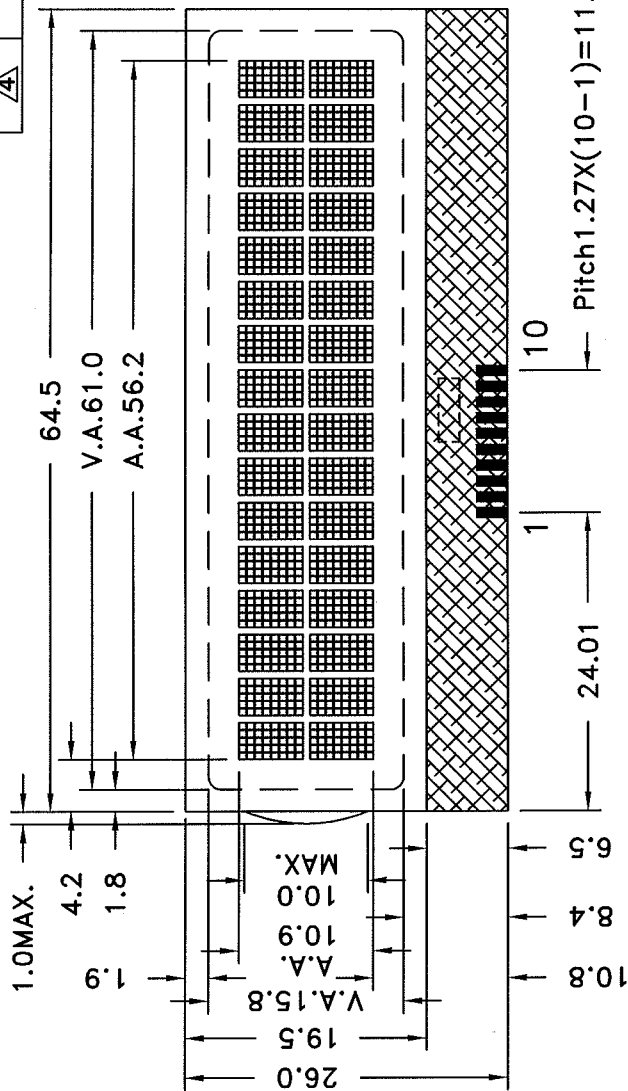


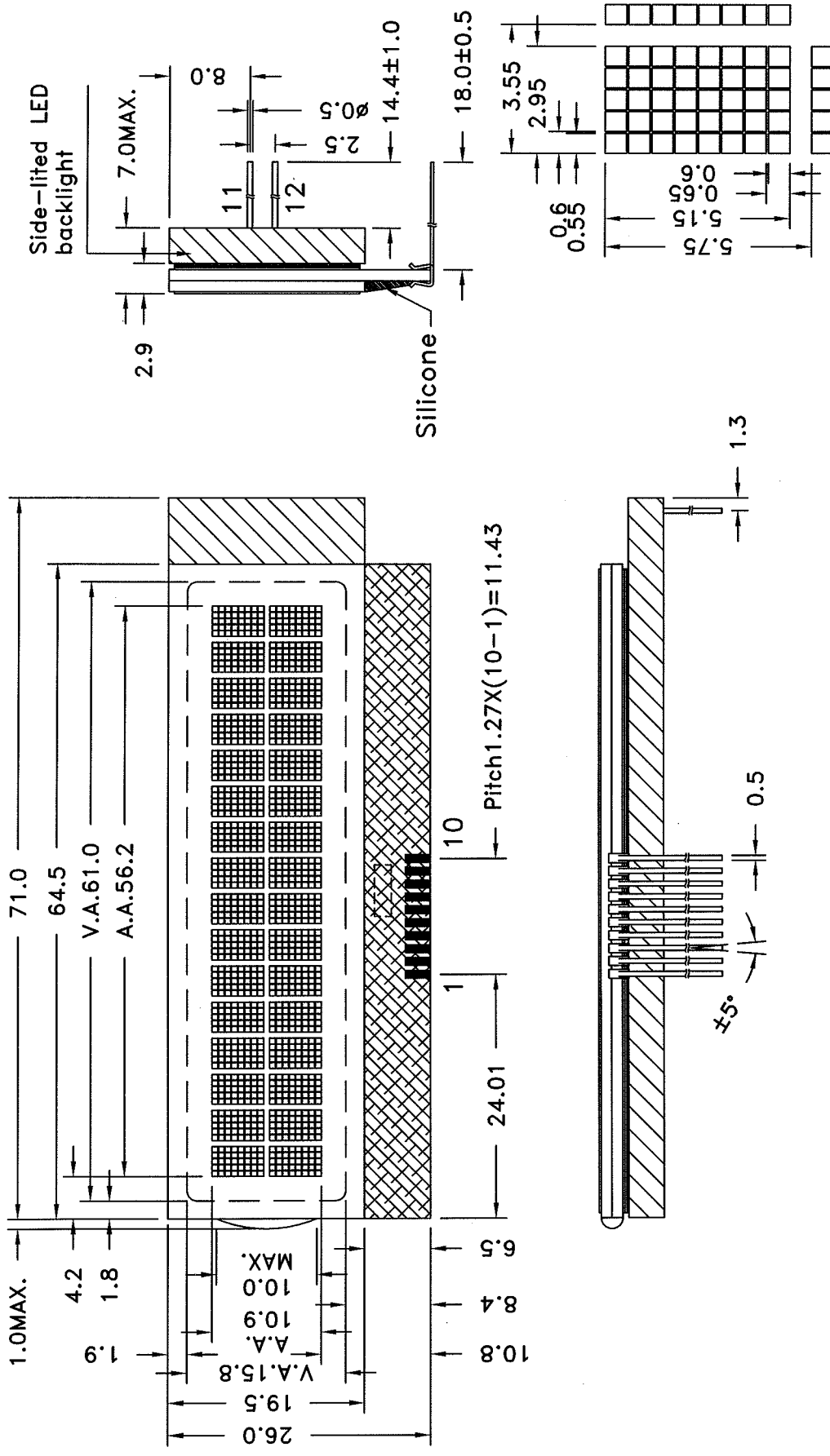
NO BACKLIGHT VERSION

MARK	REASON	PREPARED	DATE
①			
②			
③			
④			

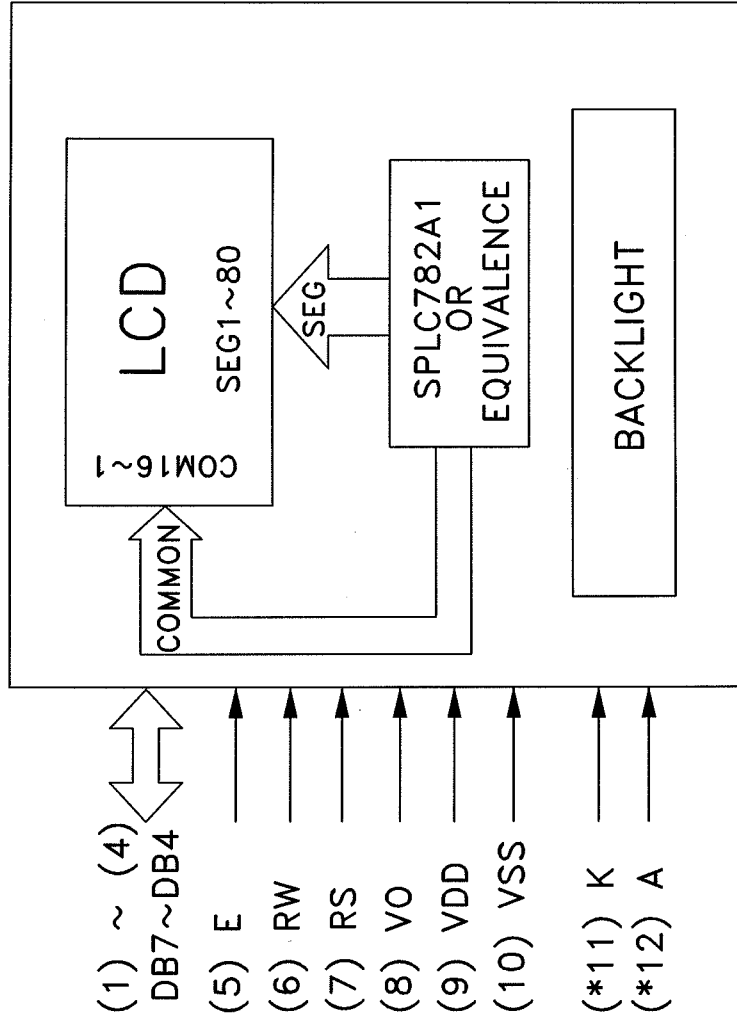


TOLERANCE IF NOT SPECIFY ±0.5mm		SCALE NOT ON SCALE	UNIT IN mm	CLOVER CHINA DISPLAY (SHENZHEN) LTD.		SHEET 1 OF 4
REV.	REVISION RECORD	DATE	CUSTOMER	APPROVED	MODEL NO. ZCG9162Q	TITLE: MODULE DIMENSION
00	1st ISSUE	01 JUN 12	STANDARD	APPROVED	DRAWN BY: PANWU	DATE: 01 JUN 12
			AGENT	APPROVED	CHECKED BY: <i>Panwu</i>	DATE: 05 JUN 12
			CUSTOMER REF.	OUR REF. ZX90002X	APPROVED BY: <i>Panwu</i>	DATE: <i>05/6/12</i>

BACKLIGHT VERSION



TOLERANCE IF NOT SPECIFY ±0.5mm		SCALE NOT ON SCALE	UNIT IN mm	CLOVER CHINA DISPLAY (SHENZHEN) LTD.		SHEET 2 OF 4	
REV. 00	REVISION RECORD 1st ISSUE		DATE 01 JUN 12	CUSTOMER STANDARD		MODEL NO. ZCG9162Q	
				AGENT		TITLE: MODULE DIMENSION	
				APPROVED		DRAWN BY: PANWU DATE: 01 JUN 12	
				APPROVED		CHECKED BY: <i>Panwu</i> DATE: 05 JUN 12	
				OUR REF. ZX90002X		APPROVED BY: <i>Wen</i> DATE: 15/6/12	
				CUSTOMER REF.			



PIN SYMBOL	FUNCTION
1	Data bus
2	
3	
4	
5	Enable signal
6	Read/Write
7	Register select signal
8	Input voltage for LCD drive
9	Power supply voltage for logic
10	Ground
*11	Backlight power supply(-)
*12	Backlight power supply(+)

Note (*): A,K pins are used for LED backlight version

TOLERANCE IF NOT SPECIFY ±0.5mm		SCALE NOT ON SCALE	UNIT IN mm	CLOVER CHINA DISPLAY (SHENZHEN) LTD.		SHEET 3 OF 4
REV.	REVISION RECORD	DATE	CUSTOMER	APPROVED	MODEL NO.	ZCG9162Q
00	1st ISSUE	01 JUN 12	AGENT	APPROVED	TITLE: PINOUT & BLOCK DIAGRAM	
					DRAWN BY: PANWU	DATE: 01 JUN 12
					CHECKED BY: <i>P. Chen</i>	DATE: 05 JUN 12
					APPROVED BY: <i>P. Chen</i>	DATE: 07/6/12
			CUSTOMER REF.	OUR REF. ZX90002X		

1. General specification

Display mode : 16 characters x 2 lines COG LCD module
 Interface : 4-bit parallel
 Driving method : 1/16 duty, 1/5 bias

2. Electrical specification

Supply voltage for logic(VDD) : 5.0V
 Input voltage for LCD (VO) : 4.5V

3. Mechanical specification

Dot size : 0.55(L) X 0.6(W)
 Character size : 2.95(L) X 5.15(W)
 Character pitch : 3.55(L) X 5.75(W)
 Viewing area : 61.0(L) X 15.8(W)
 Module dimension : 71.0(L) X 26.0(W) X 7.0MAX.(H) (Backlight version)
 : 64.5(L) X 26.0(W) X 2.9MAX.(H) (No backlight version)

4. Backlight specification

Backlight type : Side-lited LED backlight
 Backlight color : White
 Supply voltage for backlight : 3.2V

TOLERANCE IF NOT SPECIFY ±0.5mm		SCALE NOT ON SCALE	UNIT IN mm	CLOVER CHINA DISPLAY (SHENZHEN) LTD.		SHEET 4 OF 4
REV.	REVISION RECORD		DATE	APPROVED	MODEL NO.	ZCG9162Q
00	1st ISSUE		01 JUN 12	CUSTOMER	TITLE:	SPECIFICATION
				AGENT	DRAWN BY:	PANWU DATE : 01 JUN 12
				CUSTOMER REF.	CHECKED BY:	Alba DATE : 05 JUN 12
				OUR REF.	APPROVED BY:	ZX90002X DATE : Hbfh