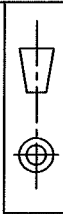
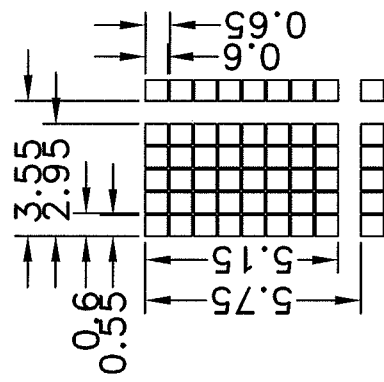
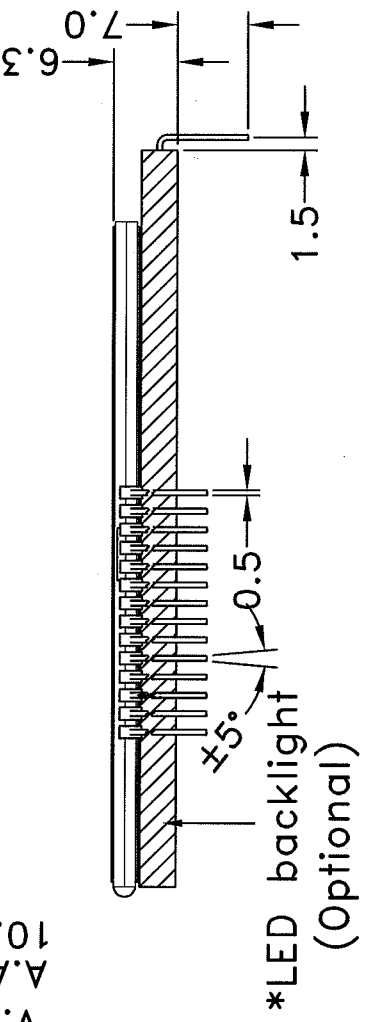
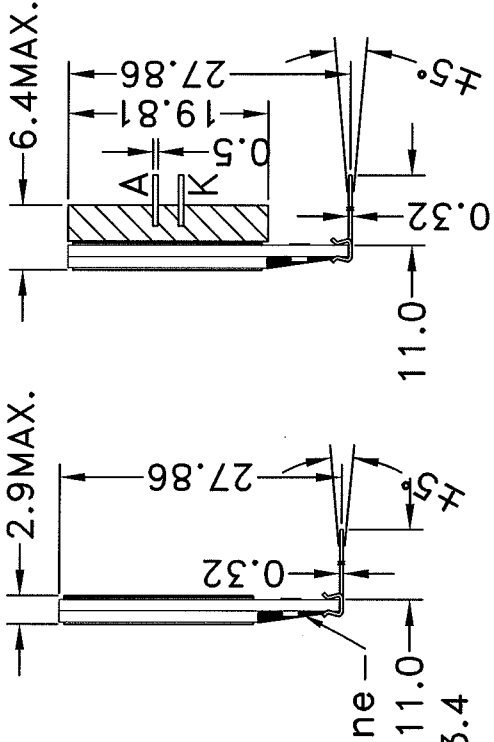
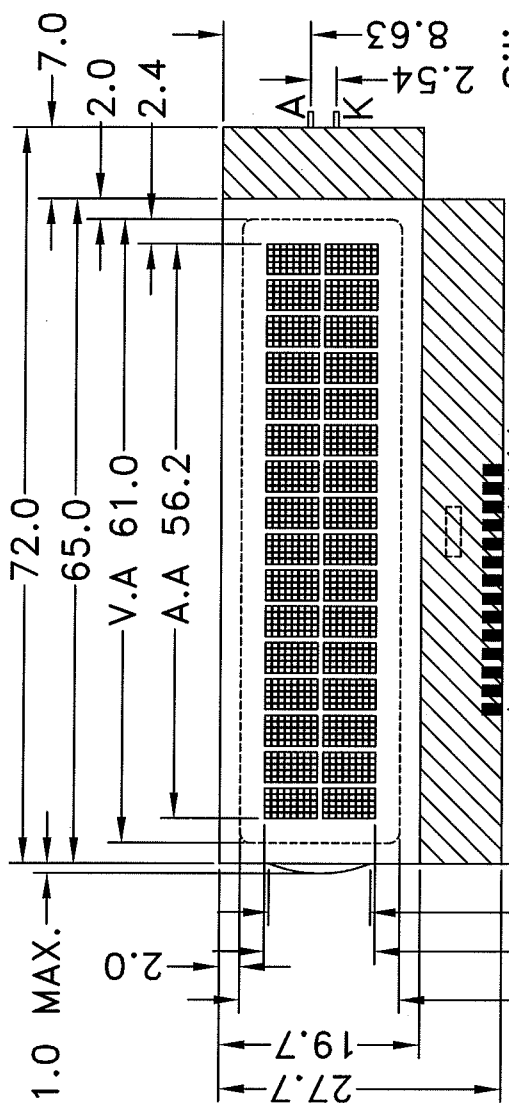
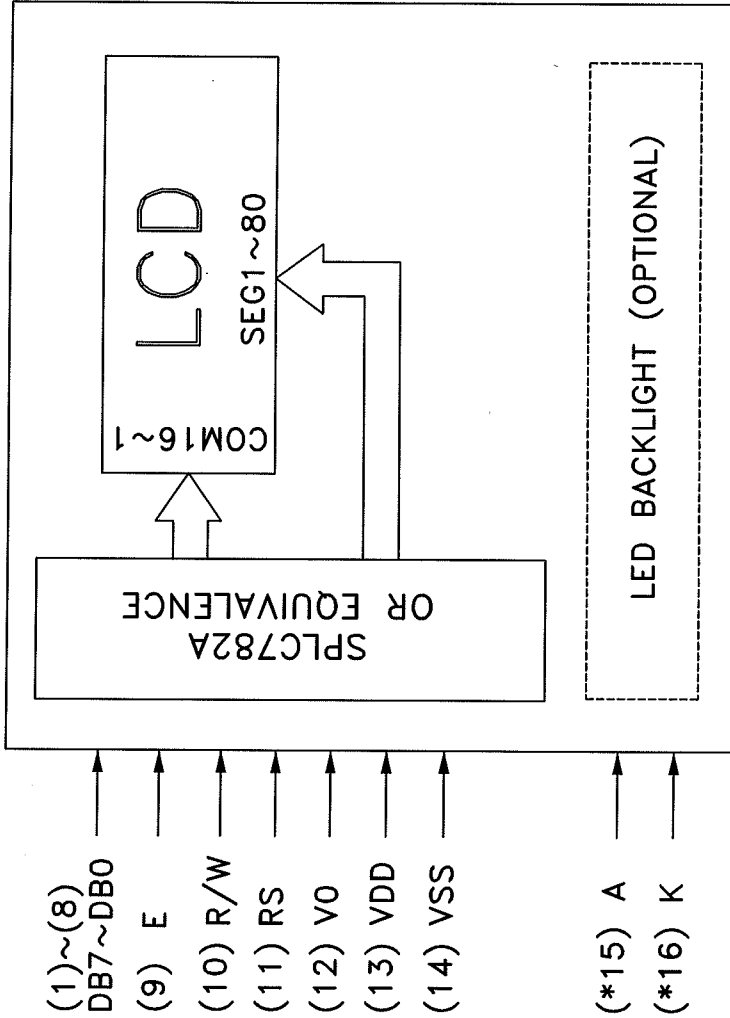


MARK	REASON	PREPARED	DATE
△1			
△2			
△3			
△4			



TOLERANCE IF NOT SPECIFY ±0.5mm	SCALE N.T.S.	UNIT IN mm	CLOVER CHINA DISPLAY (SHENZHEN) LTD.		SHEET 1 OF 3
REV. 00	REVISION RECORD 1st ISSUE	DATE 19 APR 12	CUSTOMER	APPROVED	MODEL NO. ZCG9162M
			AGENT	APPROVED	TITLE: MODULE DIMENSION
			CUSTOMER REF.	OUR REF. 90902	DRAWN BY: PANWU DATE: 19 APR 12
					CHECKED BY: DATE: 20 APR 12
					APPROVED BY: DATE: 20/4/12

BLOCK DIAGRAM



NOTE (*): A, K pins are used for LED backlight version

PIN NUMBER	SYMBOL	FUNCTION
1	DB7	Data bus
2	DB6	
3	DB5	
4	DB4	
5	DB3	
6	DB2	
7	DB1	
8	DB0	
9	E	Enable signal
10	R/W	Read/Write
11	RS	Register select
12	V0	Input voltage for LCD
13	VDD	Supply voltage for logic
14	VSS	Ground
*15	A	Supply voltage for backlight (VE+)
*16	K	Supply voltage for backlight (VE-)

TOLERANCE IF NOT SPECIFY ±0.5mm		SCALE N.T.S.	UNIT IN mm	CLOVER CHINA DISPLAY (SHENZHEN) LTD.		SHEET 2 OF 3
REV.	REVISION RECORD	DATE	CUSTOMER	MODEL NO. ZCG9162M		
00	1st ISSUE	19 APR 12	AGENT	TITLE: PIN OUT & BLOCK DIAGRAM		
				DRAWN BY: PANWU DATE: 19 APR 12		
				CHECKED BY: <i>[Signature]</i> DATE: 20 APR 12		
				APPROVED BY: <i>[Signature]</i> DATE: 20/4/12		
			CUSTOMER REF.	OUR REF. 90902	APPROVED	
					APPROVED	

1. General specification

- : 16 characters x 2 lines COG LCD module
- : 8-bit parallel
- : 1/16 duty, 1/5 bias
- : 0°C TO 50°C
- : -10°C TO 60°C

2. Electrical specification

- Supply voltage for logic(VDD) : 5.0V
- Input voltage for LCD (V0) : 5.0V

3. Mechanical specification

- Dot size : 0.55(L)X0.60(W)
- Character size : 2.95(L)X5.15(W)
- Character pitch : 3.55(L)X5.75(W)
- Viewing area[mm] : 61.0(L)x15.7(W)
- Module dimension[mm] : 65.0(L)x27.7(W)x2.9MAX.(H)(no backlight)
- : 72.0(L)x27.7(W)x6.4MAX.(H)(Side-lited LED backlight)

4. Backlight specification

- Backlight type : Side-lited LED Backlight
- Backlight color : White/Blue
- Supply voltage for backlight : 3.1V

TOLERANCE IF NOT SPECIFY ±0.5mm		SCALE N.T.S.	UNIT IN mm	CLOVER CHINA DISPLAY (SHENZHEN) LTD.		SHEET 3 OF 3
REV.	REVISION RECORD			APPROVED	MODEL NO. ZCG9162M	
00	1st ISSUE		DATE 19 APR 12		TITLE: SPECIFICATION	
				APPROVED	DRAWN BY: PANWU	DATE: 19 APR 12
					CHECKED BY: <i>[Signature]</i>	DATE: 20 APR 12
					APPROVED BY: <i>[Signature]</i>	DATE: 20 APR 12
CUSTOMER REF.				OUR REF. 90902		
CUSTOMER			STANDARD			
AGENT						