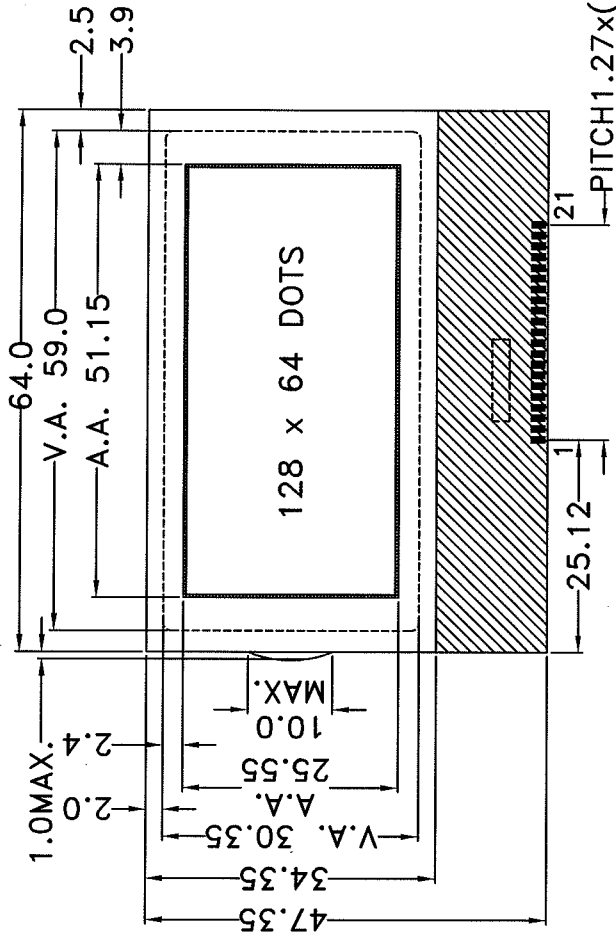
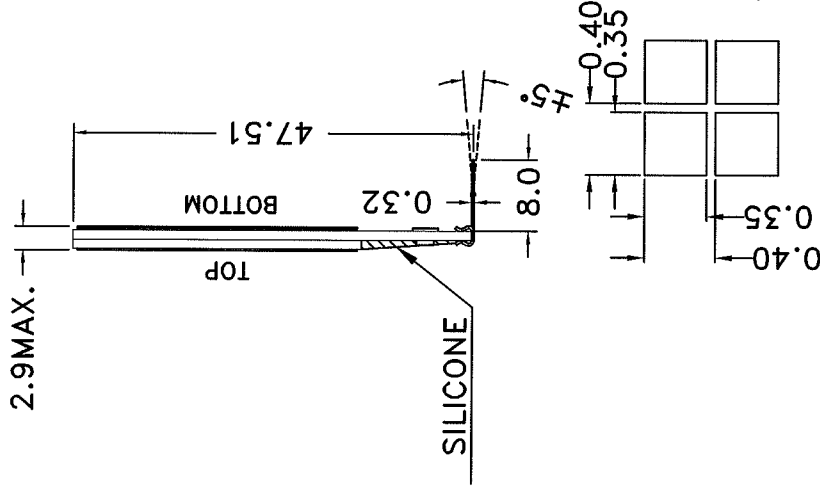
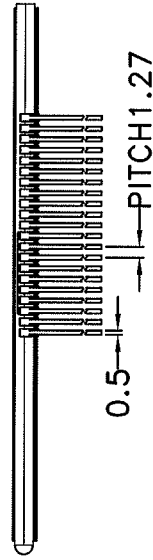


NO BACKLIGHT VERSION



PITCH $1.27 \times (21 - 1) = 25.4$



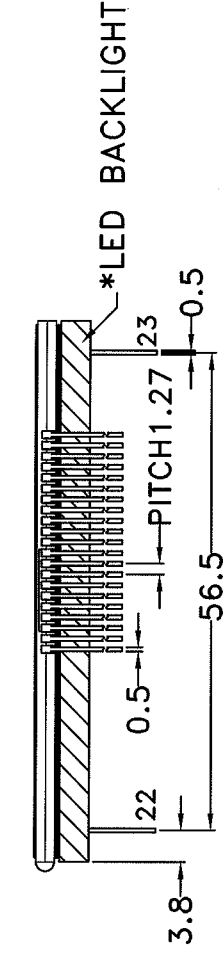
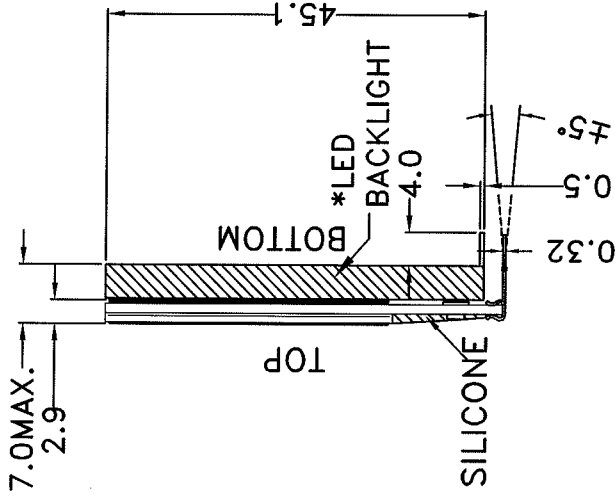
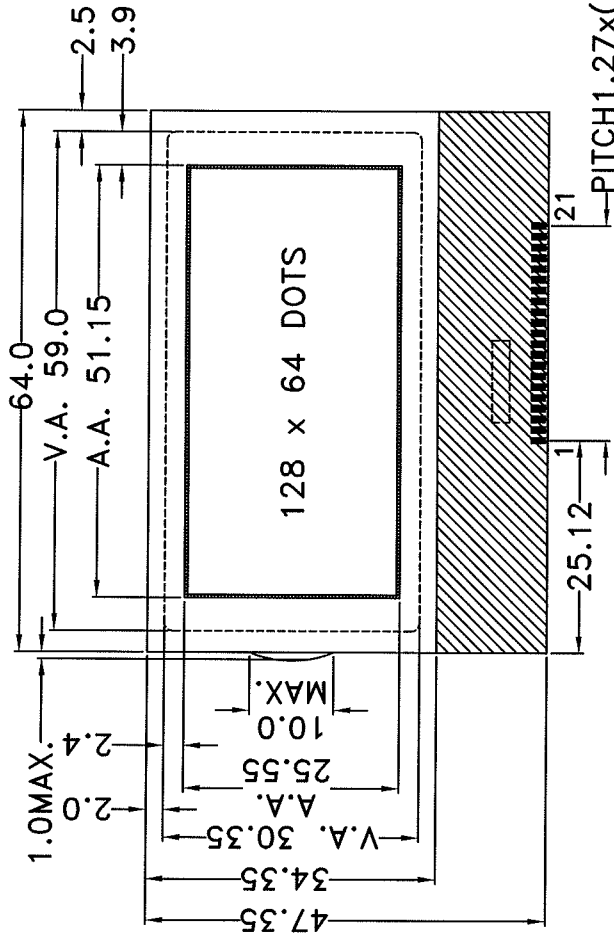
SCALE 19 : 1

MARK	REASON	PREPARED	DATE
△			
△			
△			
△			

TOLERANCE IF NOT SPECIFY ±0.5mm		SCALE N.T.S.	UNIT IN mm	CLOVER CHINA DISPLAY (SHENZHEN) LTD.		SHEET 1 OF 4
REV. 00	REVISION RECORD 1st ISSUE	DATE 05 JUN 12	CUSTOMER	STANDARD		MODEL NO. ZCG12864Q
			AGENT	APPROVED		TITLE: MODULE DIMENSION
			CUSTOMER REF.	APPROVED		DRAWN BY: PANWU DATE: 05 JUN 12
				OUR REF. ZX90910		CHECKED BY: <i>Panwu</i> DATE: 05 JUN 12
						APPROVED BY: <i>Panwu</i> DATE: 17/6/12



BACKLIGHT VERSION

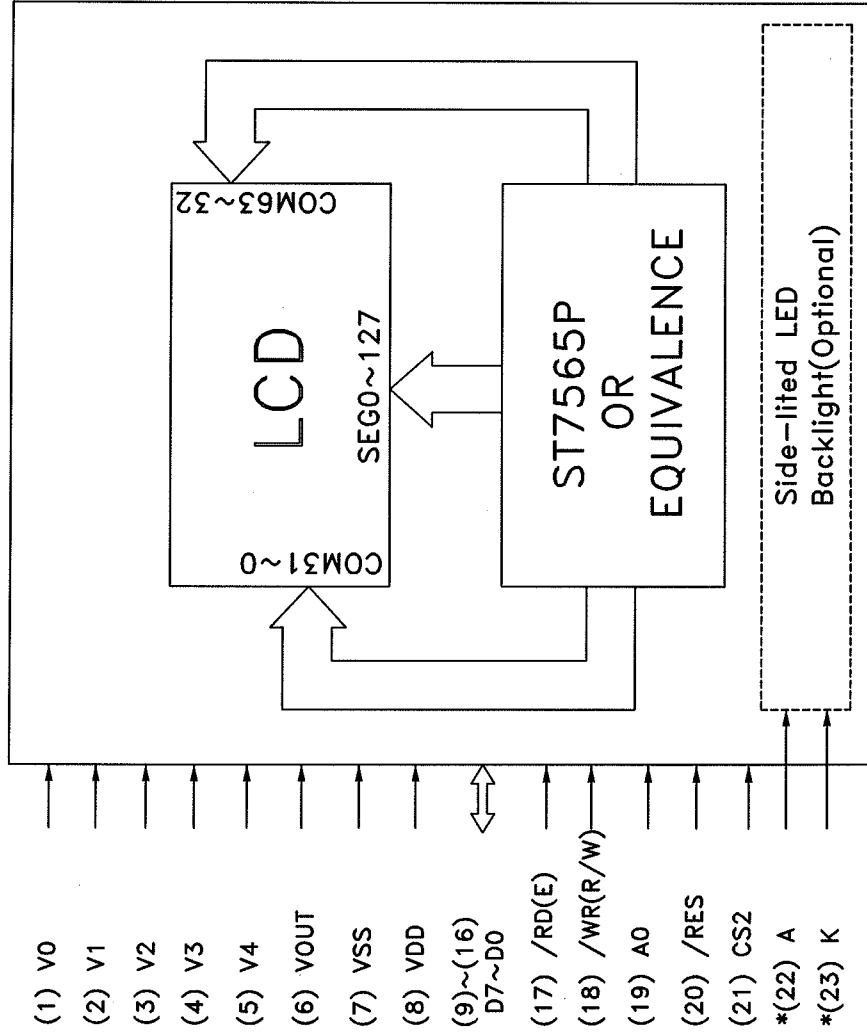


SCALE 19 : 1



TOLERANCE IF NOT SPECIFY ±0.5mm		SCALE N.T.S.	UNIT IN mm	CLOVER CHINA DISPLAY (SHENZHEN) LTD.		SHEET 2 OF 4
REV. 00	REVISION RECORD 1st ISSUE		DATE 05 JUN 12	MODEL NO. ZCG12864Q		
				TITLE: MODULE DIMENSION		
				DRAWN BY: PANWU DATE: 05 JUN 12		
				CHECKED BY: <i>Alm</i> DATE: 05 JUN 12		
				APPROVED BY: <i>[Signature]</i> DATE: 05 JUN 12		
				APPROVED	OUR REF. ZX90910	
				APPROVED	CUSTOMER REF.	
				STANDARD		

BLOCK DIAGRAM



PIN NUMBER	SYMBOL	FUNCTION
1	V0	LCD driver supply voltage
2	V1	
3	V2	
4	V3	
5	V4	
6	VOUT	Input voltage for LCD drive
7	VSS	Ground
8	VDD	Power supply voltage for logic
9	D7	Data bus
10	D6	
11	D5	
12	D4	
13	D3	
14	D2	
15	D1	
16	D0	
17	/RD(E)	Read signal
18	/WR(R/W)	Write signal
19	A0	Data/Command select
20	/RES	Reset
21	CS2	Chip enable
*22	A	Backlight power supply(+)
*23	K	Backlight power supply(-)

NOTE (*): A, K pins are used for LED backlight version

TOLERANCE IF NOT SPECIFY ±0.5mm		SCALE N.T.S.	UNIT IN mm	CLOVER CHINA DISPLAY (SHENZHEN) LTD.		SHEET 3 OF 4
REV. 00	REVISION RECORD 1st ISSUE	DATE 05 JUN 12	CUSTOMER STANDARD	APPROVED	MODEL NO. ZCG12864Q	TITLE: PIN OUT & BLOCK DIAGRAM
			AGENT	APPROVED	DRAWN BY: PANWU	DATE: 05 JUN 12
			CUSTOMER REF.	OUR REF. ZX90910	CHECKED BY: <i>P11</i>	DATE: 05 JUN 12
					APPROVED BY: <i>[Signature]</i>	DATE: <i>5/6/12</i>

1. General specification

Display mode : 128 x 64 dots, graphic COG LCD module
 Interface : 8-bit parallel(8080-Series)
 Driving method : 1/64 duty , 1/9 bias

2. Electrical specification

Supply voltage for logic(VDD) : 3.0V
 Supply voltage for LCD (VLCD) : 12.0V (Generated by build-in booster)

3. Mechanical specification

Dot size : 0.35(L)x0.35(W)
 Dot pitch : 0.40(L)x0.40(W)
 Viewing area : 59.0(L)x30.35(W)
 Module dimension : 64.0(L)x47.35(W)x2.9MAX.(H)(no backlight version)
 : 64.0(L)x47.35(W)x7.0MAX.(H)(backlight version)

4. Backlight specification

Backlight type : Side-lited LED Backlight
 Backlight color : White/Blue/Yellow Green
 Backlight voltage : 3.5V

TOLERANCE IF NOT SPECIFY ±0.5mm		SCALE N.T.S.	UNIT IN mm	CLOVER CHINA DISPLAY (SHENZHEN) LTD.		SHEET 4 OF 4
REV.	REVISION RECORD			CUSTOMER	MODEL NO.ZCG12864Q	
00	1st ISSUE		DATE 05 JUN 12	APPROVED	TITLE: SPECIFICATION	
				AGENT	DRAWN BY: PANWU	DATE : 05 JUN 12
					CHECKED BY: <i>Alm</i>	DATE : 05 JUN 12
					APPROVED BY: <i>Alm</i>	DATE : 05 JUN 12
				CUSTOMER REF.	OUR REF. ZX90910	