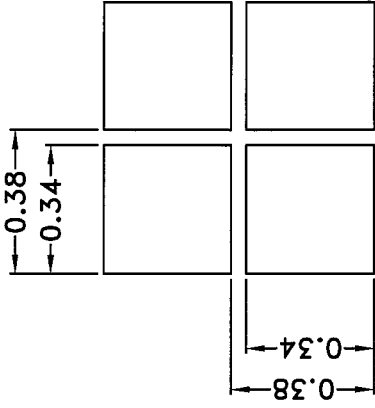
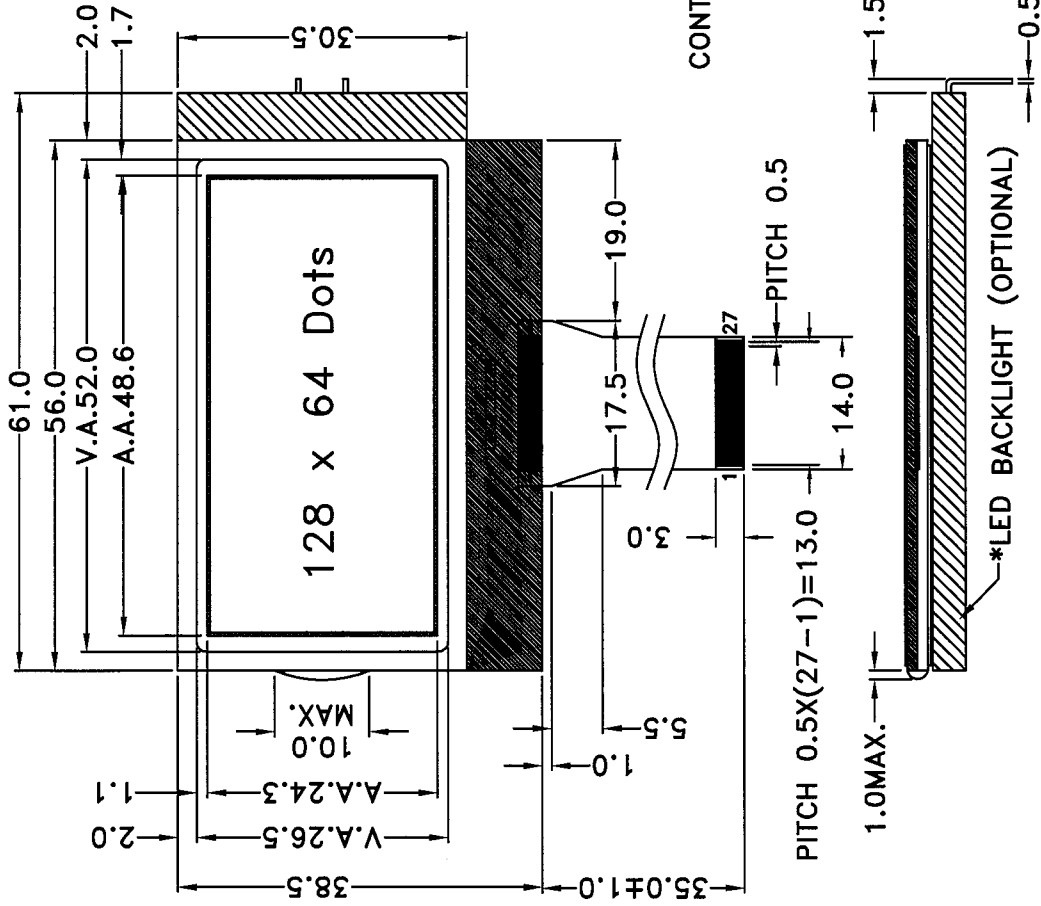
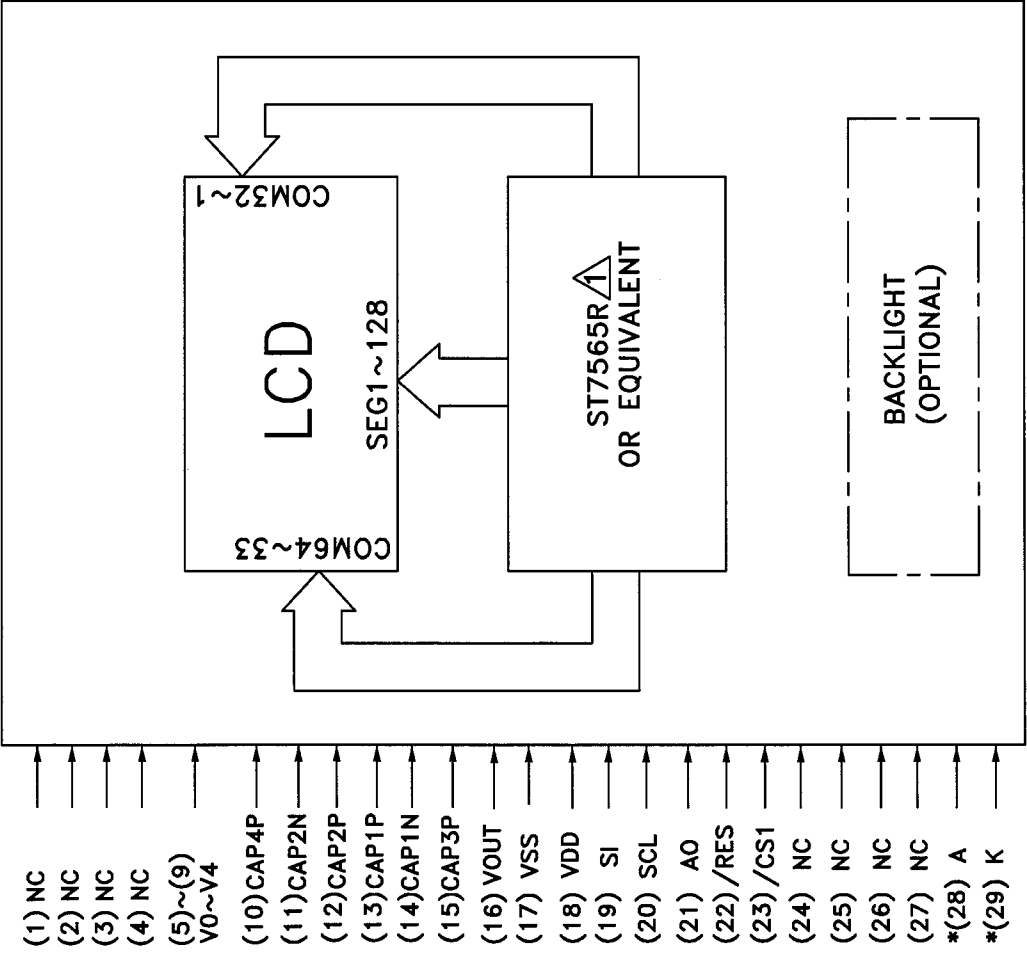


MARK	REASON	PREPARED	DATE
△	Change IC and VLCD	PANWU	06 DEC 12
△			
△			
△			



TOLERANCE IF NOT SPECIFY ±0.5mm		SCALE NOT ON SCALE	UNIT IN mm	CLOVER DISPLAY LTD. (HK)		SHEET 1 OF 3
REV.	REVISION RECORD		DATE	CUSTOMER	APPROVED	MODEL NO. ZCG12864P
00	1st ISSUE		12 MAR 12	STANDARD		TITLE: MODULE DIMENSION
01	Change IC and VLCD		06 DEC 12	AGENT	APPROVED	DRAWN BY: PANWU DATE : 06 DEC 12
						CHECKED BY : Allen DATE: 2013.01.17
						OUR REF. ZX90907X APPROVED BY: [Signature] DATE: 12/11/12



- (1) NC
- (2) NC
- (3) NC
- (4) NC
- (5)~(9) V0~V4
- (10)CAP4P
- (11)CAP2N
- (12)CAP2P
- (13)CAP1P
- (14)CAP1N
- (15)CAP3P
- (16) VOUT
- (17) VSS
- (18) VDD
- (19) SI
- (20) SCL
- (21) AO
- (22)/RES
- (23)/CS1
- (24) NC
- (25) NC
- (26) NC
- (27) NC
- \*(28) A
- \*(29) K

PIN NUMBER	SYMBOL	FUNCTION	
1	NC	NO connection	
2	NC		
3	NC		
4	NC		
5	V0	Supply voltage for LCD	
6	V1		
7	V2		
8	V3		
9	V4	DC/DC voltage converter terminal	
10	CAP4P		
11	CAP2N		
12	CAP2P		
13	CAP1P		
14	CAP1N		
15	CAP3P	Operating voltage for LCD	
16	VOUT		
17	VSS		Ground(0V)
18	VDD		Supply voltage for logic
19	SI	Serial data input	
20	SCL	Serial clock input	
21	AO	Data control signal	
22	/RES	Reset	
23	/CS1	Chip select signal	
24	NC	No connection	
25	NC		
26	NC		
27	NC		
*28	A	Voltage supply for backlight (+)	
*29	K	Voltage supply for backlight (-)	

\*NOTE:Pin28,29 are used for backlight version

TOLERANCE IF NOT SPECIFY ±0.5mm		SCALE NOT ON SCALE	UNIT IN mm	CLOVER DISPLAY LTD. (HK)		SHEET 2 OF 3
REV.	REVISION RECORD	DATE	CUSTOMER	MODEL NO. ZCG12864P		
00	1st ISSUE	12 MAR 12	STANDARD	TITLE: PINOUT & BLOCK DIAGRAM		
01	Change IC and VLCD	06 DEC 12	AGENT	DRAWN BY: PANWU DATE : 06 DEC 12		
				CHECKED BY : Allen DATE 2013.01.17		
				APPROVED BY: <i>[Signature]</i> DATE : 17/1/13		
				OUR REF. ZX90907X APPROVED		

1. General specification
  - Display mode : 128 x 64 dots, graphic COG LCD module
  - Interface : Serial
  - Driving method : 1/65 duty , 1/9 bias
2. Electrical specification
  - Supply voltage for logic(VDD) : 3.0V
  - Input voltage for LCD (VLCD) : 9.0V(Generate by internal voltage booster) $\Delta$
3. Mechanical specification
  - Dot size : 0.34(L)x0.34(W)
  - Dot pitch : 0.38(L)x0.38(W)
  - Viewing area : 52.0(L)x26.5(W)
  - Module dimension : 56.0(L)x38.5(W)x2.9MAX.(H1)(No backlight)
  - Module dimension : 61.0(L)x38.5(W)x6.5MAX.(H2)(Backlight)
4. Backlight specification
  - Backlight type : Side-lited LED backlight
  - Backlight color : White/Blue/Yellow green
  - Backlight voltage : 3.5V@40mA

TOLERANCE IF NOT SPECIFY ±0.5mm		SCALE NOT ON SCALE	UNIT IN mm	CLOVER DISPLAY LTD. (HK)		SHEET 3 OF 3
REV.	REVISION RECORD			CUSTOMER	APPROVED	MODEL NO. ZCG12864P
00	1st ISSUE		DATE 12 MAR 12	STANDARD		TITLE: SPECIFICATION
01	Change IC and VLCD		DATE 06 DEC 12	AGENT	APPROVED	DRAWN BY: PANWU DATE : 06 DEC 12
						CHECKED BY : Allen DATE 2013.01.17 10:54:48 +0800
				CUSTOMER REF.	OUR REF. ZX90907X	APPROVED BY: <i>[Signature]</i> DATE : <i>[Signature]</i>