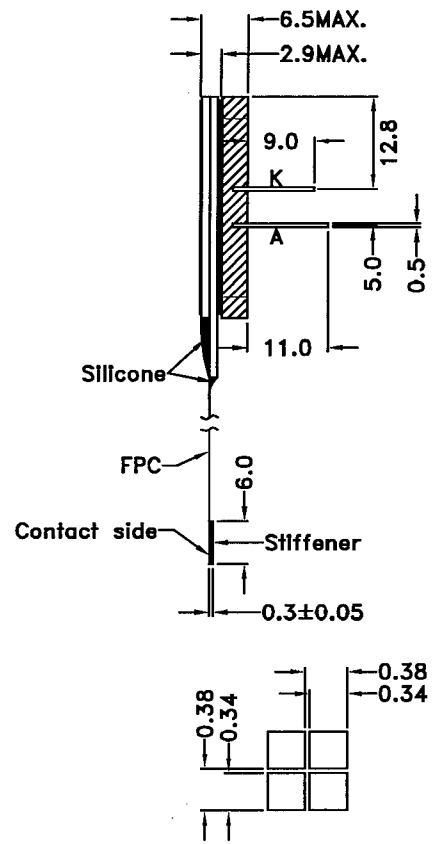
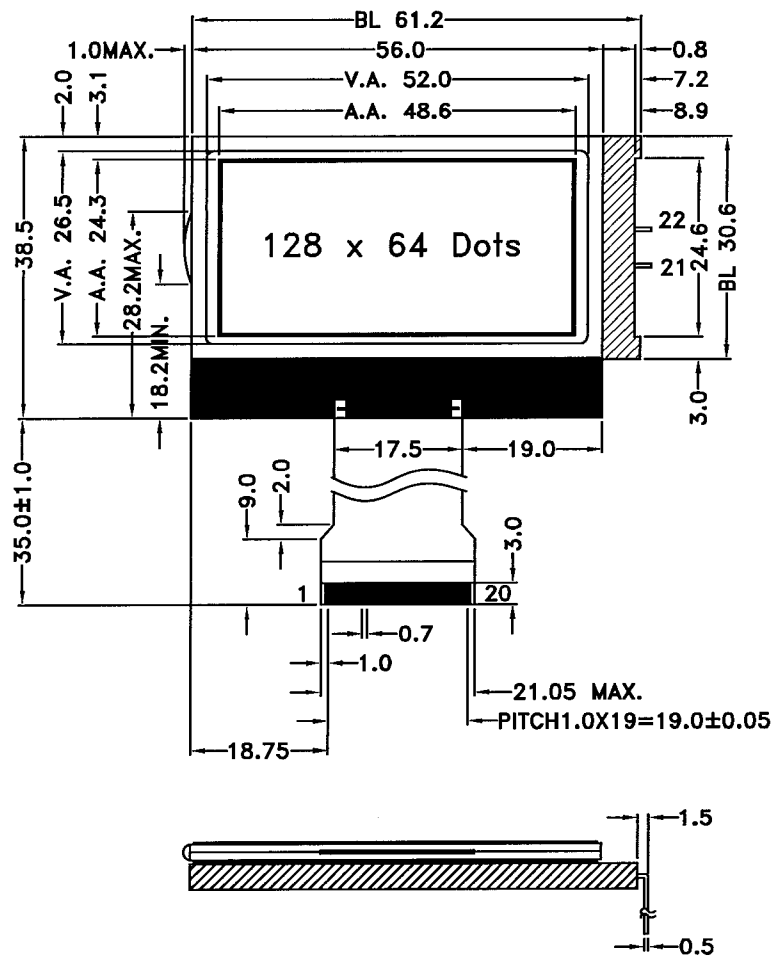
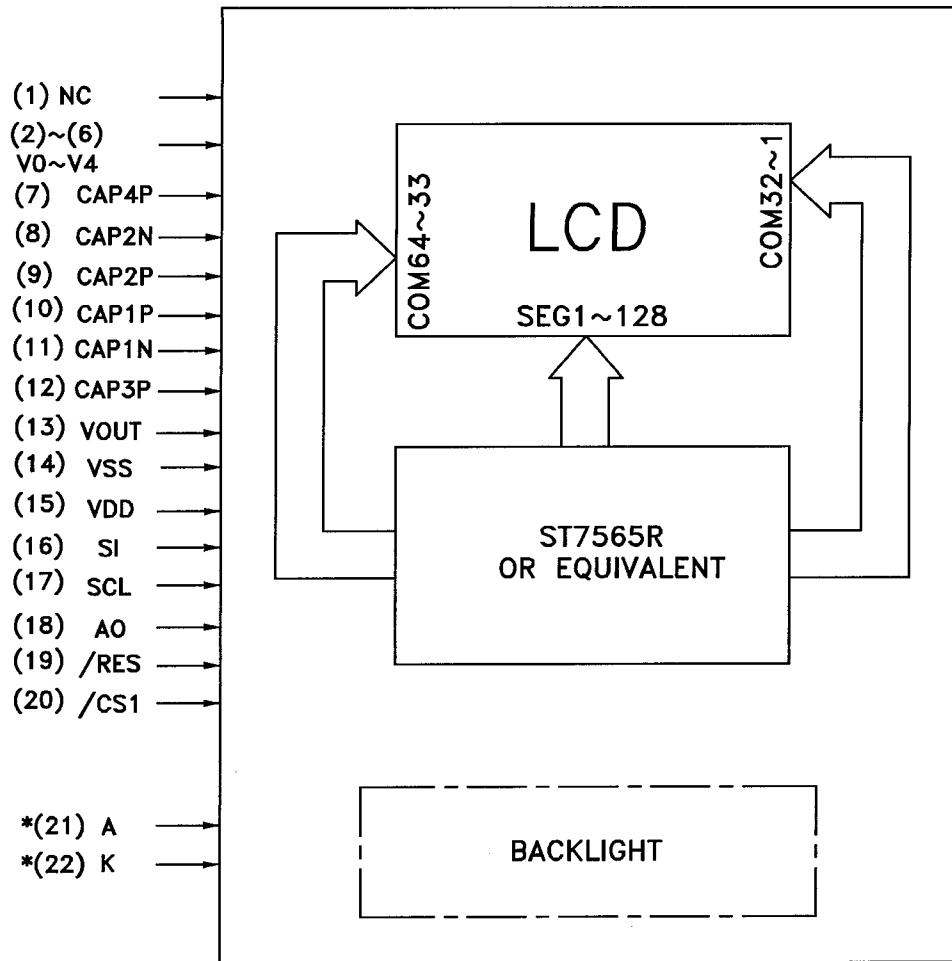


MARK	REASON	PREPARED	DATE
△			
△			
△			
△			



TOLERANCE IF NOT SPECIFY ±0.3mm		SCALE NOT ON SCALE	UNIT IN mm	CLOVER DISPLAY LTD. (HK)		SHEET 1 OF 3	
REV.	REVISION RECORD	DATE	CUSTOMER	APPROVED	MODEL NO. ZCG12864P-F		
00	1st ISSUE	04 FEB 15	STANDARD		TITLE: MODULE DIMENSION		
			AGENT	APPROVED	DRAWN BY: Z.Y.XU DATE: 04 FEB 15		
			CUSTOMER REF.	OUR REF. ZX90907B	CHECKED BY: LinShao DATE: 4/2/15		



PIN NUMBER	SYMBOL	FUNCTION
1	NC	NO connection
2	V0	Supply voltage for LCD
3	V1	
4	V2	
5	V3	
6	V4	DC/DC voltage converter terminal
7	CAP4P	
8	CAP2N	
9	CAP2P	
10	CAP1P	
11	CAP1N	Operating voltage for LCD
12	CAP3P	
13	VOUT	Ground(0V)
14	VSS	Supply voltage for logic
15	VDD	Serial data Input
16	SI	Serial clock Input
17	SCL	Data control signal
18	AO	Reset
19	/RES	Chip select signal
20	/CS1	Voltage supply for backlight (+)
21	A	Voltage supply for backlight (-)
22	K	

\*Note : pin21,22 are used for backlight version only

TOLERANCE IF NOT SPECIFY ±0.3mm		SCALE NOT ON SCALE	UNIT IN mm	CLOVER DISPLAY LTD. (HK)		SHEET 2 OF 3	
REV.	REVISION RECORD	DATE	CUSTOMER	APPROVED	MODEL NO. ZCG12864P-F		
00	1st ISSUE	04 FEB 15	STANDARD		TITLE: PINOUT & BLOCK DIAGRAM		
			AGENT	APPROVED	DRAWN BY: Z.Y.XU DATE : 04 FEB 15		
					CHECKED BY :LinShao DATE : 04 FEB 15		
			CUSTOMER REF.	OUR REF. ZX90907B	APPROVED BY: <i>LinShao</i> DATE : 4/2/15		

### 1.General specification

Display mode : 128 x 64 dots, Graphic COG LCD module  
 Interface : Serial  
 Driving method : 1/65 duty , 1/9 bias

### 2.Electrical specification


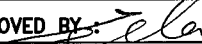
Supply voltage for logic(VDD) : 3.0V  
 Operating voltage for LCD (VLCD): 9.0V

### 3.Mechanical specification

Dot size : 0.34(L)x0.34(W)  
 Dot pitch : 0.38(L)x0.38(W)  
 Viewing area : 52.0(L)x26.5(W)  
 Module dimension : 61.2(L)x38.5(W)x6.5MAX.(H)  
 (LED backlight version)

### 4.Backlight specification

Backlight type	Backlight color	Backlight voltage
Side-lited LED backlight	Blue	3.5V@12.0mA

TOLERANCE IF NOT SPECIFY ±0.3mm		SCALE NOT ON SCALE	UNIT IN mm	 CLOVER DISPLAY LTD. (HK)		SHEET 3 OF 3
REV.	REVISION RECORD	DATE	CUSTOMER	APPROVED	MODEL NO. ZCG12864P-F	
00	1st ISSUE	04 FEB 15	STANDARD		TITLE: SPECIFICATION	
			AGENT	APPROVED	DRAWN BY: Z.Y.XU DATE :04 FEB 15	
					CHECKED BY :LinShao DATE : 4/2/15	
			CUSTOMER REF.	OUR REF. ZX90907B	APPROVED BY:  DATE : 4/2/15	