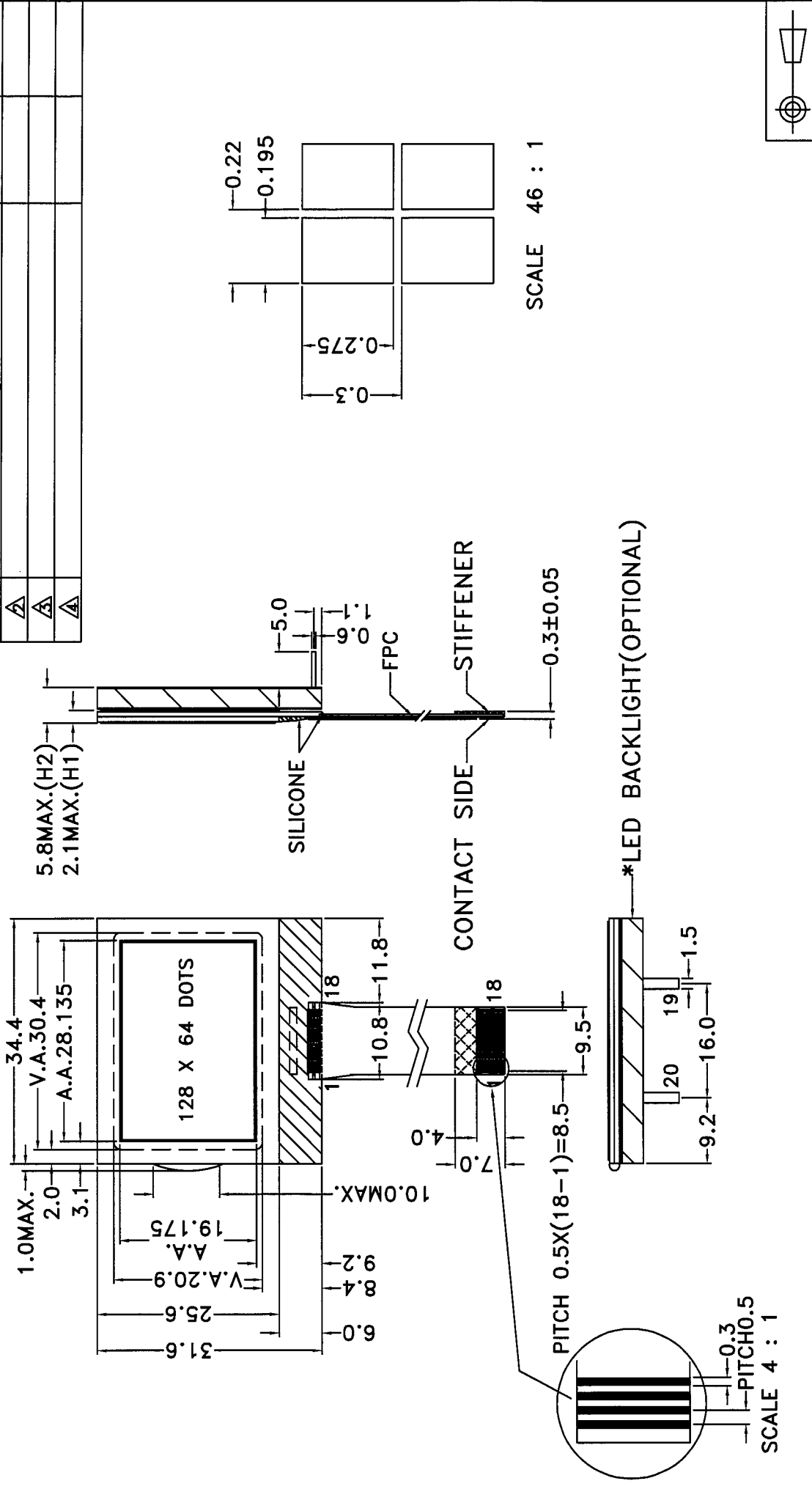
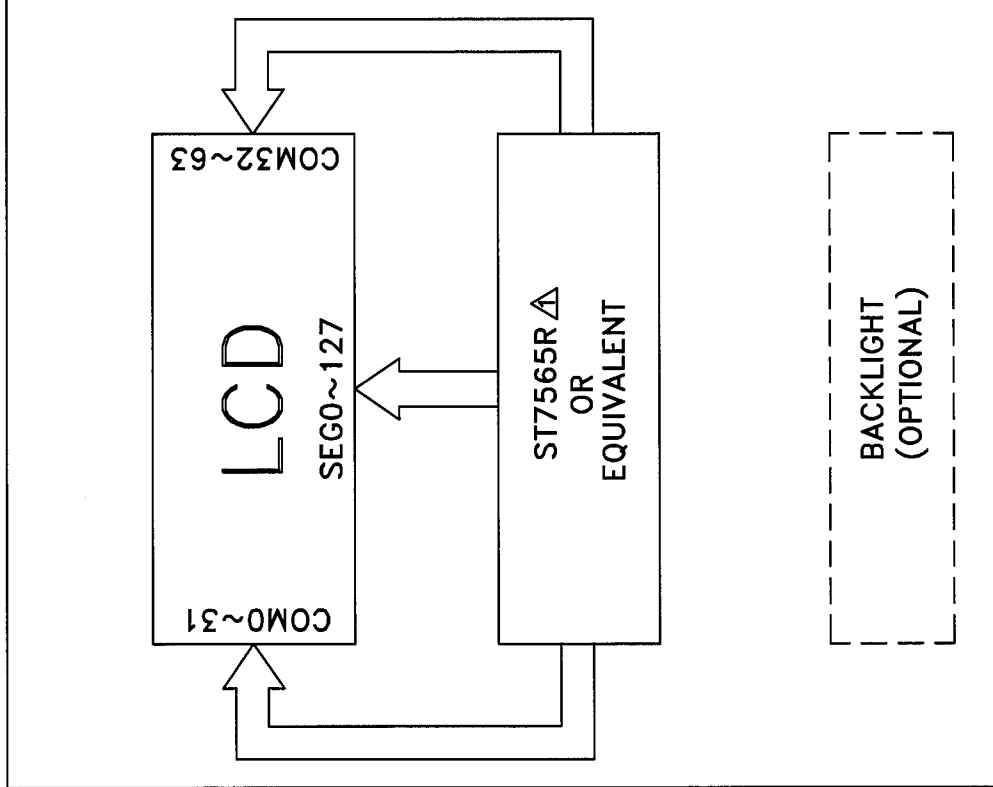


MARK	REASON	PREPARED	DATE
△	Change IC	PANWU	16 JAN 13
△			
△			
△			



TOLERANCE IF NOT SPECIFY ±0.5mm		SCALE NOT ON SCALE	UNIT IN mm	CLOVER DISPLAY LTD. (HK)		SHEET 1 OF 3
REV.	REVISION RECORD	DATE	CUSTOMER	APPROVED	MODEL NO.	ZCG12864N
00	1st ISSUE	02 MAY 12	STANDARD		TITLE:	MODULE DIMENSION
01	Change IC	16 JAN 13	AGENT	APPROVED	DRAWN BY:	PANWU
					CHECKED BY:	Allen
					DATE:	2013.01.17
					DATE:	1053:16 +08'00
					APPROVED BY:	<i>[Signature]</i>
					OUR REF.	ZX90905X
					CUSTOMER REF.	

- (1)~(5) V0~V4
- (6) CAP2N
- (7) CAP2P
- (8) CAP1P
- (9) CAP1N
- (10) CAP3P
- (11) VOUT
- (12) VSS
- (13) VDD
- (14) SI
- (15) SCL
- (16) A0
- (17) /RES
- (18) /CS1
- *(19) A
- *(20) K



PIN	SYMBOL	FUNCTION
1	V0	Supply voltage for LCD
2	V1	
3	V2	
4	V3	
5	V4	
6	CAP2N	Booster terminal
7	CAP2P	
8	CAP1P	
9	CAP1N	
10	CAP3P	
11	VOUT	Ground
12	VSS	
13	VDD	
14	SI	
15	SCL	
16	A0	Data/Command select pin
17	/RES	Reset
18	/CS1	Chip select signal
*19	A	Voltage supply for backlight (+)
*20	K	Voltage supply for backlight (-)

NOTE(*):Pin19,20 are used for backlight version

TOLERANCE IF NOT SPECIFY ±0.5mm		SCALE NOT ON SCALE	UNIT IN mm	CLOVER DISPLAY LTD. (HK)		SHEET 2 OF 3
REV.	REVISION RECORD	DATE	CUSTOMER	APPROVED		
00	1st ISSUE	02 MAY 12	STANDARD	MODEL NO. ZCG12864N		
01	Change IC	16 JAN 13	AGENT	TITLE: PINOUT & BLOCK DIAGRAM		
				DRAWN BY: PANWU DATE :16 JAN 13		
				CHECKED BY: Allen DATE 2013.01.17		
				APPROVED BY: <i>[Signature]</i> DATE : 16 JAN 13		
			CUSTOMER REF.	OUR REF. ZX90905X		

1. General specification

Display mode : 128 x 64 dots, graphic COG LCD module
 Interface : Serial
 Driving method : 1/65 duty , 1/9 bias

2. Electrical specification

Supply voltage for logic(VDD) : 3.3V
 Supply Voltage for LCD (VLCD) : 9.5V (Generated by build-in booster)

3. Mechanical specification

Dot size : 0.195(L)x0.275(W)
 Dot pitch : 0.22(L)x0.30(W)
 Action area : 28.135(L)x19.175(W)
 Viewing area : 30.4(L)x20.9(W)
 Module dimension : 34.4(L)x31.6(W)x2.1MAX.(H1) (No backlight)
 Module dimension : 34.4(L)x31.6(W)x5.8MAX.(H2) (Backlight)

4. Backlight specification

Backlight type : Side-lited LED backlight
 Backlight color : White/Blue
 Backlight voltage : 3.3V

TOLERANCE IF NOT SPECIFY ±0.5mm		SCALE NOT ON SCALE	UNIT IN mm	CLOVER DISPLAY LTD. (HK)		SHEET 3 OF 3
REV.	REVISION RECORD		DATE	CUSTOMER	APPROVED	MODEL NO. ZCG12864N
00	1st ISSUE		02 MAY 12	STANDARD		TITLE: SPECIFICATION
01	Change IC		16 JAN 13	AGENT		DRAWN BY: PANWU DATE :16 JAN 13
						CHECKED BY : Allen DATE 2013.01.17 10:53:51 +08'00'
				CUSTOMER REF.	OUR REF. ZX90905X	APPROVED BY: <i>[Signature]</i> DATE : 1/11/13