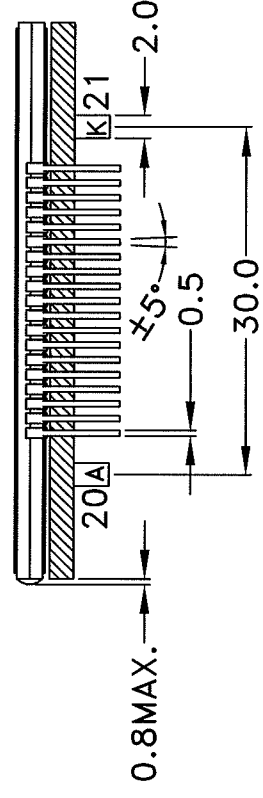
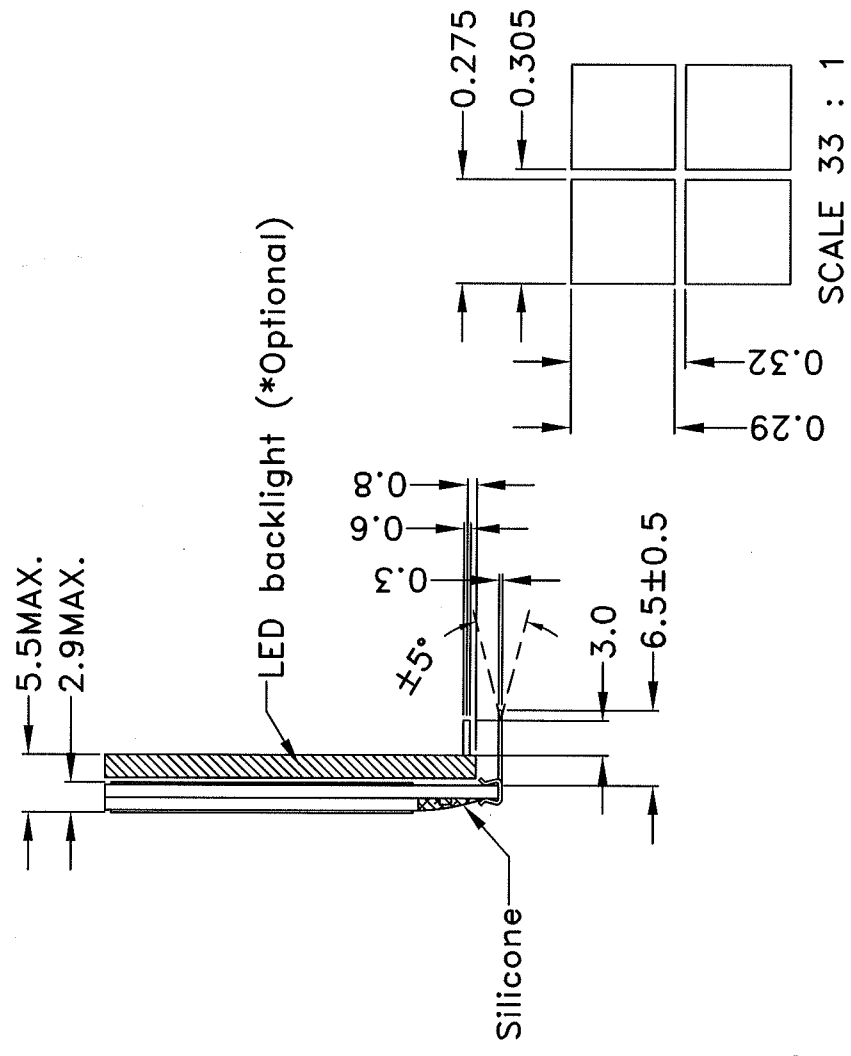
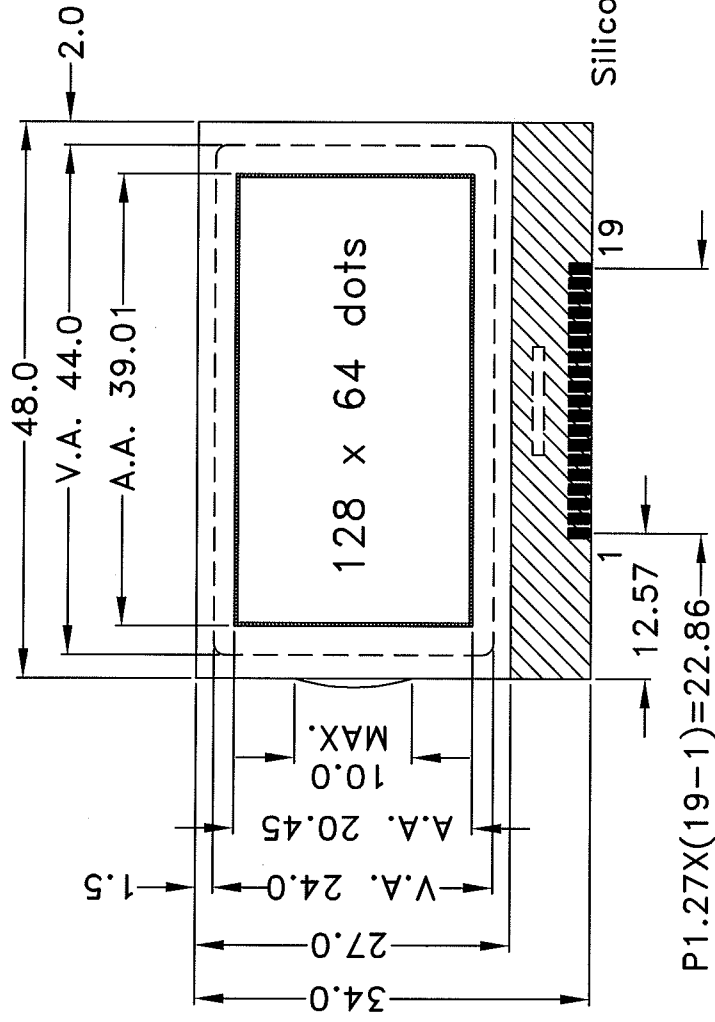
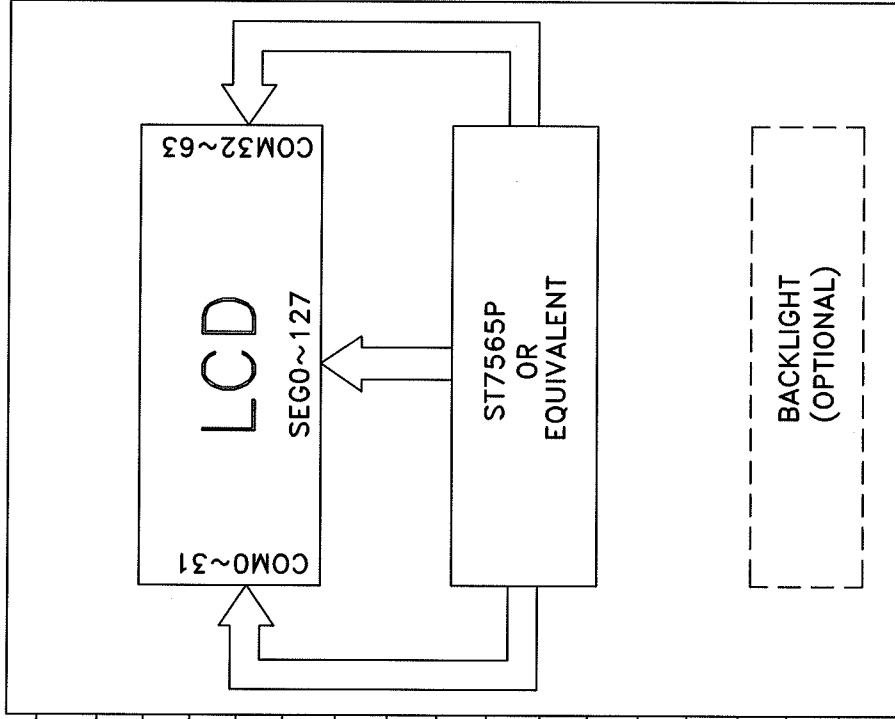


MARK	REASON	PREPARED	DATE
△			
△			
△			
△			



TOLERANCE IF NOT SPECIFY ±0.5mm		SCALE NOT ON SCALE	UNIT IN mm	CLOVER CHINA DISPLAY (SHENZHEN) LTD.	
REV.	REVISION RECORD		DATE	APPROVED	SHEET 1 OF 3
00	1st ISSUE		27 FEB 12	CUSTOMER	MODEL NO. ZCG12864M
				AGENT	TITLE: DIMENSION
					DRAWN BY: LINSHAO DATE : 27 FEB 12
					CHECKED BY : LinShao DATE : 27 FEB 12
					APPROVED BY: <i>[Signature]</i> DATE: <i>[Signature]</i>
					OUR REF. ZX90904X-01

- (1)~(5) V0~V4
- (6) CAP4P
- (7) CAP2N
- (8) CAP2P
- (9) CAP1P
- (10)CAP1N
- (11)CAP3P
- (12) VOUT
- (13) VSS
- (14) VDD
- (15) SI
- (16) SCL
- (17) A0
- (18) /RES
- (19) /CS1
- *(20) A
- *(21) K



PIN NUMBER	SYMBOL	FUNCTION
1	V0	Supply voltage for LCD
2	V1	
3	V2	
4	V3	
5	V4	
6	CAP4P	Booster terminal
7	CAP2N	
8	CAP2P	
9	CAP1P	
10	CAP1N	
11	CAP3P	
12	VOUT	Ground
13	VSS	
14	VDD	Supply voltage for logic
15	SI	Serial data input
16	SCL	Serial clock input
17	A0	Data/Command select pin
18	/RES	Reset
19	/CS1	Chip select signal
*20	A	Voltage supply for backlight (VE+)
*21	K	Voltage supply for backlight (VE-)

TOLERANCE IF NOT SPECIFY ±0.5mm
SCALE NOT ON SCALE

UNIT IN mm

CLOVER CHINA DISPLAY (SHENZHEN) LTD. SHEET 2 OF 3

REV. 00 REVISION RECORD 1st ISSUE

CUSTOMER

APPROVED

MODEL NO. ZCG12864M

STANDARD

DATE 27 FEB 12

APPROVED

TITLE: PINOUT & BLOCK DIAGRAM

AGENT

APPROVED

DRAWN BY: LINSHAO DATE :27 FEB 12

CUSTOMER REF.

OUR REF.ZX90904X-01

CHECKED BY : LinShao DATE :27 FEB 12

APPROVED BY: *[Signature]* DATE :27 FEB 12

1.General specification

Display mode : 128 x 64 dots, Graphic COG LCD module
 Interface : Serial
 Driving method : 1/65 duty , 1/9bias

2.Electrical specification

Supply voltage for logic(VDD) : 3.0V
 Input voltage for LCD (Vlcd) : 12.0V (Generated by build-in booster)

3.Backlight specification

Backlight type : Side-lited LED
 Backlight voltage : 3.3V@45mA
 Backlight color : White/Blue/Yellow green

4.Mechanical specification

Viewing area[mm] : 44.0(L)x24.0(W)
 Module dimension[mm] : 48.0(L)x34.0(W)x2.9MAX./5.5MAX.(H)

TOLERANCE IF NOT SPECIFY ±0.5mm		SCALE NOT ON SCALE	UNIT IN mm	CLOVER CHINA DISPLAY (SHENZHEN) LTD.		SHEET 3 OF 3
REV.	REVISION RECORD			APPROVED	MODEL NO.	ZCG12864M
00	1st ISSUE		DATE 27 FEB 12	APPROVED	TITLE:	SPECIFICATION
				AGENT	DRAWN BY:	LINSHAO DATE :27 FEB 12
					CHECKED BY :	LinShao DATE :27 FEB 12
					OUR REF.ZX90904X-01	APPROVED BY: <i>[Signature]</i> DATE: 27/2/12
				CUSTOMER REF.		