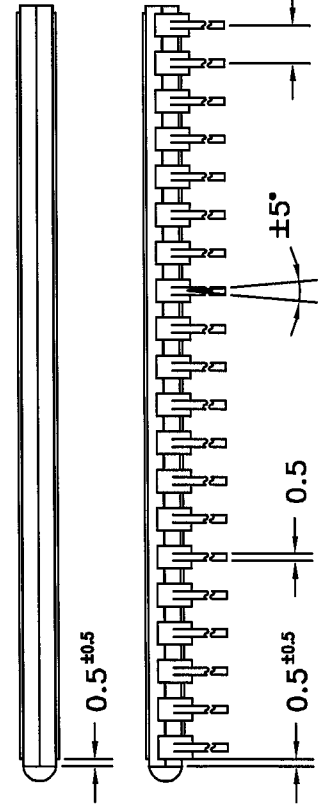


Zebra type Pin type



*[Handwritten signature]*

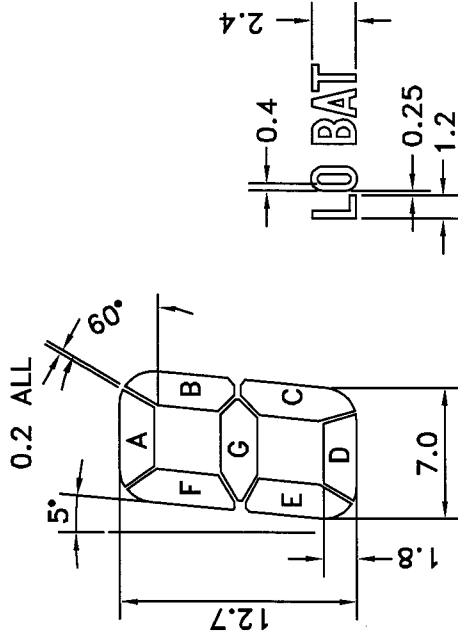
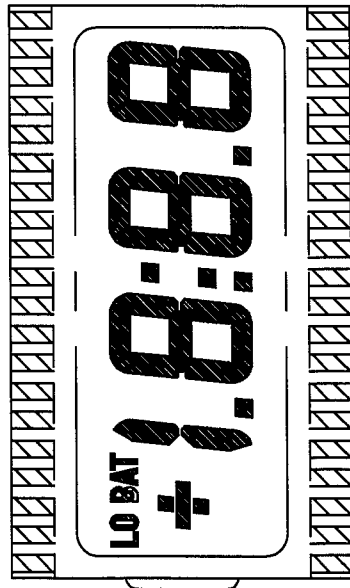
MECHANICAL TOL. ±0.2 UNLESS SPECIFIED		COUNTER DRAWING		CUSTOMER REF. REV. DATE		PROJECTION		APPROVAL		CUSTOMER-SERVICE		ENGINEERING	
APPROVAL	COMPANY NAME	APPROVED BY	DATE	00	31-MAR-15	V5952		APPROVED BY	DRAFTING	Y.WEN	31 Mar, 15	31 Mar 2015	OUR REF. 00
APPROVED BY	DATE	SHEET 1 OF 2		SCALE 2 : 1		V5952		DRAWN BY :	X.T.CHUI	UNIT IN	mm	OUR REF.	00
<b>▲▲ CLOVER DISPLAY LIMITED</b>													

EBTN TYPE

MODEL NO.	V5952A	V5952B	V5952C	V5952D	V5952E	V5952F	V5952G	V5952H
VIEWING DIRECTION	6 O'CLOCK	6 O'CLOCK	6 O'CLOCK	6 O'CLOCK	12 O'CLOCK	12 O'CLOCK	12 O'CLOCK	12 O'CLOCK
TEMPERATURE OPERATE RANGE	0°C ~ 50°C	-20°C ~ 70°C	0°C ~ 50°C	-20°C ~ 70°C	0°C ~ 50°C	-20°C ~ 70°C	0°C ~ 50°C	-20°C ~ 70°C
STORAGE RANGE	-10°C ~ 60°C	-30°C ~ 80°C	-10°C ~ 60°C	-30°C ~ 80°C	-10°C ~ 60°C	-30°C ~ 80°C	-10°C ~ 60°C	-30°C ~ 80°C
CONNECTOR	ZEBRA	ZEBRA	PIN	PIN	ZEBRA	ZEBRA	PIN	PIN
DISPLAY TYPE	TRANSMISSIVE							

OPERATION VOLTAGE	3.0 V
DRIVING METHOD	STATIC

PIN 1	2	3	4	5	6	7	8	9	10	11	12	13	14	15	16	17	18	19	20
COM	COM	Y	Z				P1	1E	1D	1C	P2	2E	2D	2C	P3	3E	3D	3C	3B
PIN 21	22	23	24	25	26	27	28	29	30	31	32	33	34	35	36	37	38	39	40
COM 3A	3F	3G	2B	2A	2F	2G	C0L	1B	1A	1F	1G							LO BAT	X COM



*Signature*

REV. 00	REVISION RECORD	DATE	STANDARD	PROJECTION	APPROVAL	DRAFTING	CUSTOMER-SERVICE	ENGINEERING
	1st ISSUE	31-MAR-15	CUSTOMER REF.		APPROVED BY Y. WEN	Y. WEN	31 Mar, 15	31 Mar, 2015
			SHEET 2 OF 2	V5952	DATE 31 Mar, 15	31 Mar, 15	UNIT IN mm	OUR REF. 00
			SCALE N.T.S	◆◆ CLOVER DISPLAY LIMITED	DRAWN BY : X.T.CHUI			