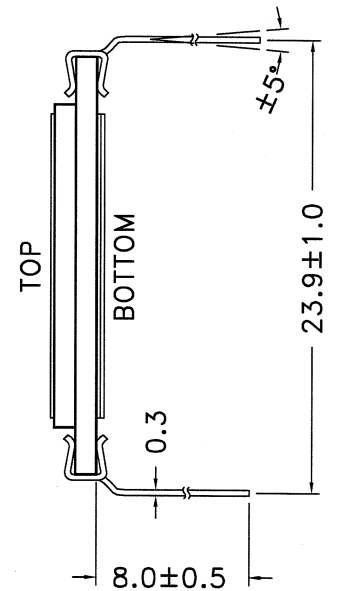
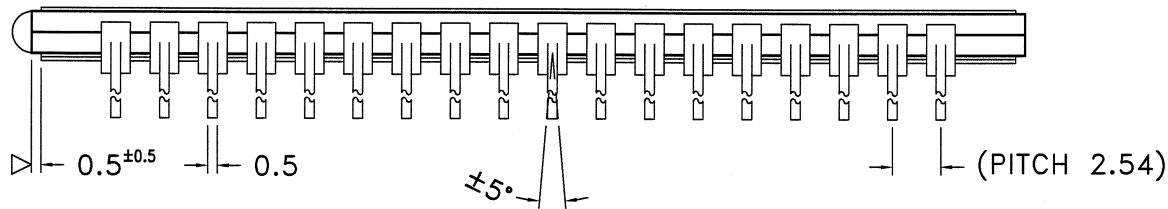
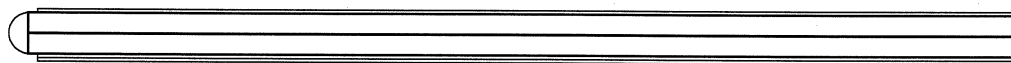


Zebra type



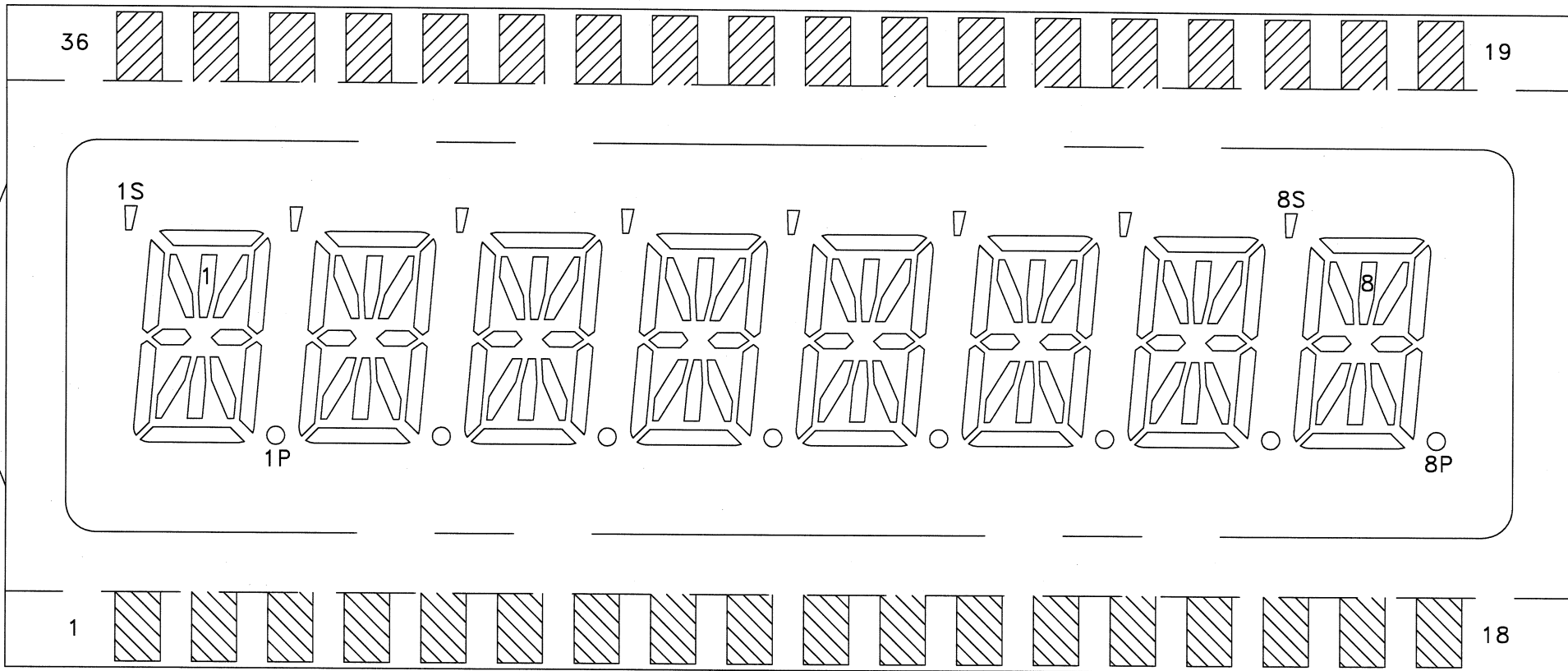
Pin type



MECHANICAL TOL. ±0.2 UNLESS SPECIFIED

APPROVAL	COUNTER DRAWING	CUSTOMER REF.	REV.	DATE
COMPANY NAME	STANDARD		00	11-MAY-11
APPROVED BY		SHEET 1 OF 3		
DATE		SCALE 5 : 2		

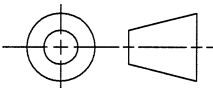

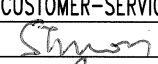
 PROJECTION S5038	APPROVAL	DRAFTING	CUSTOMER-SERVICE	ENGINEERING
	APPROVED BY	<i>[Signature]</i>	<i>[Signature]</i>	<i>[Signature]</i>
	DATE	11 May 11	11 May 11	11 May 11
	DRAWN BY :	BEN	UNIT IN/mm	OUR REF. 00
CLOVER DISPLAY LIMITED				



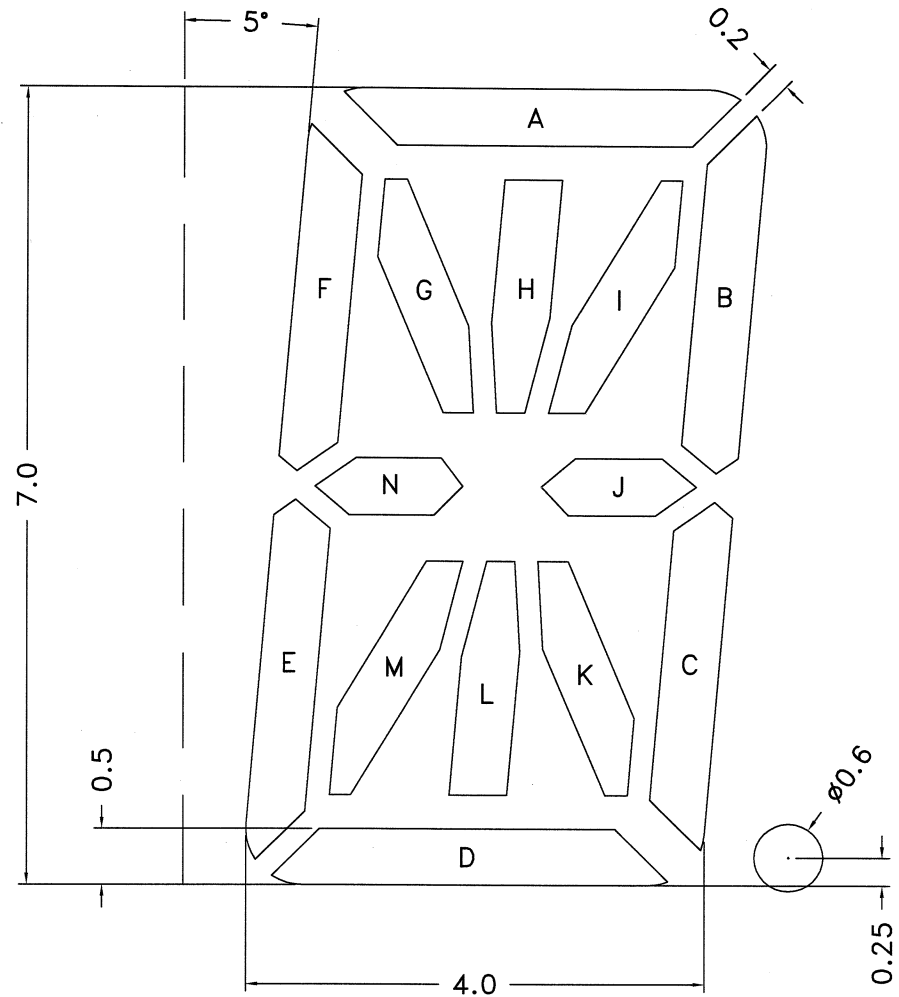
TN TYPE

MODEL NO.	S5038A	S5038B	S5038C	S5038D	S5038E	S5038F	S5038G	S5038H
VIEWING DIRECTION	6 O'CLOCK	6 O'CLOCK	6 O'CLOCK	6 O'CLOCK	12 O'CLOCK	12 O'CLOCK	12 O'CLOCK	12 O'CLOCK
TEMPERATURE RANGE	OPERATE: 0°C ~ 50°C STORAGE: -10°C ~ 60°C	-20°C ~ 70°C -30°C ~ 80°C	0°C ~ 50°C -10°C ~ 60°C	-20°C ~ 70°C -30°C ~ 80°C	0°C ~ 50°C -10°C ~ 60°C	-20°C ~ 70°C -30°C ~ 80°C	0°C ~ 50°C -10°C ~ 60°C	-20°C ~ 70°C -30°C ~ 80°C
CONNECTOR	ZEBRA	ZEBRA	PIN	PIN	ZEBRA	ZEBRA	PIN	PIN

DISPLAY TYPE	POSITIVE / NEGATIVE
	REFLECTIVE / TRANFLECTIVE / TRANSMISSIVE
OPERATION VOLTAGE	3.0 V
DRIVING METHOD	1/4 DUTY , 1/3 BIAS

REV.	REVISION RECORD	DATE	STANDARD	 PROJECTION	APPROVAL	DRAFTING	CUSTOMER-SERVICE	ENGINEERING
00	1st ISSUE	11-MAY-11	CUSTOMER REF.			APPROVED BY		
			SHEET 2 OF 3		DATE	11 May 11	11 May 2011	11 May 11
			SCALE N.T.S		DRAWN BY :	BEN	UNIT IN mm	OUR REF. 00
				S5038	☒ CLOVER DISPLAY LIMITED			

PIN	COM1	COM2	COM3	COM4
1	1D	1E	1F	1S
2	1K	1J	1I	1H
3	2D	2E	2F	2S
4	2K	2J	2I	2H
5	3D	3E	3F	3S
6	3K	3J	3I	3H
7	4D	4E	4F	4S
8	4K	4J	4I	4H
9	5D	5E	5F	5S
10	5K	5J	5I	5H
11	6D	6E	6F	6S
12	6K	6J	6I	6H
13	7D	7E	7F	7S
14	7K	7J	7I	7H
15	8D	8E	8F	8S
16	8K	8J	8I	8H
17	COM1	/	/	/
18	/	COM2	/	/
19	/	/	COM3	/
20	/	/	/	COM4
21	8P	8C	8B	8A
22	8L	8M	8N	8G
23	7P	7C	7B	7A
24	7L	7M	7N	7G
25	6P	6C	6B	6A
26	6L	6M	6N	6G
27	5P	5C	5B	5A
28	5L	5M	5N	5G
29	4P	4C	4B	4A
30	4L	4M	4N	4G
31	3P	3C	3B	3A
32	3L	3M	3N	3G
33	2P	2C	2B	2A
34	2L	2M	2N	2G
35	1P	1C	1B	1A
36	1L	1M	1N	1G



SCALE 15 : 1

REV.	REVISION RECORD	DATE	CUSTOMER REF.	PROJECTION	APPROVAL	DRAFTING	CUSTOMER-SERVICE	ENGINEERING
00	1st ISSUE	11-MAY-11			APPROVED BY		Simon	
					DATE	11 May 11	11 May 2011	11 May 11
					DRAWN BY :	BEN	UNIT IN mm	OUR REF. 00
					S5038			
					CLOVER DISPLAY LIMITED			