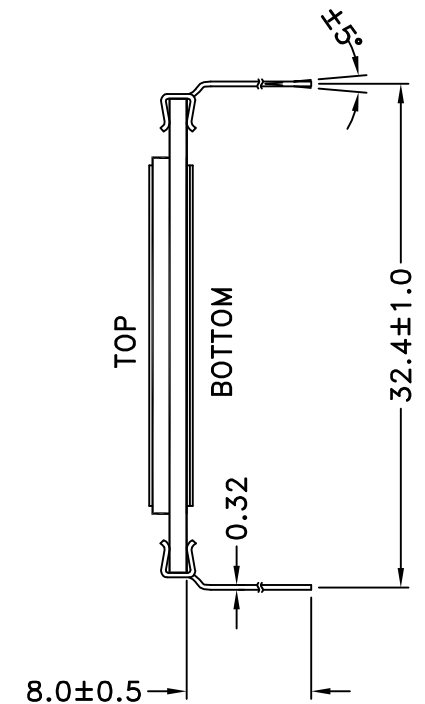


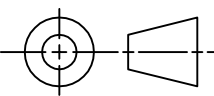
Zebra type



Pin type

MECHANICAL TOL. ±0.2 UNLESS SPECIFIED

APPROVAL	COUNTER DRAWING	CUSTOMER REF.	REV.	DATE
COMPANY NAME	STANDARD		00	08-AUG-08
APPROVED BY		SHEET 1 OF 2		
DATE		SCALE 2 : 1		

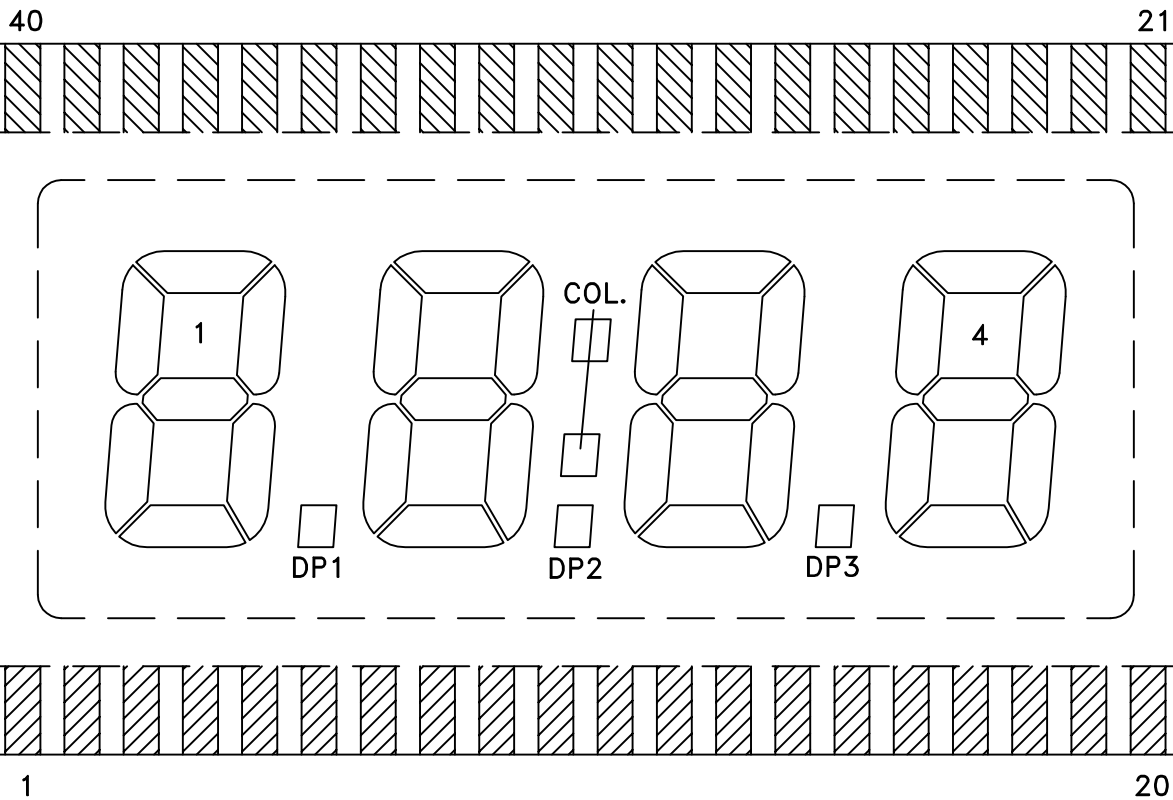


PROJECTION

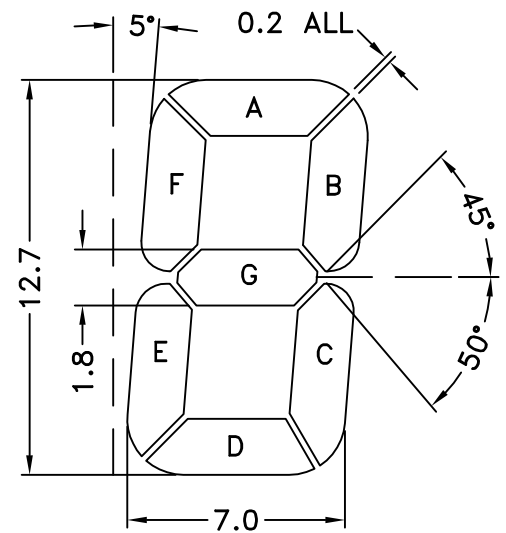
S5026

APPROVAL	DRAFTING	CUSTOMER-SERVICE	ENGINEERING
APPROVED BY	Y.WEN		
DATE	09Aug,08		
DRAWN BY : TIMMY	UNIT IN mm	OUR REF. 00	

**CLOVER DISPLAY LIMITED**



SCALE 4 : 1



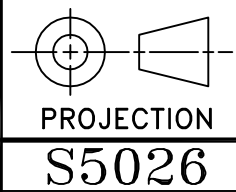
PIN	1	2	3	4	5	6	7	8	9	10
COM	COM	/	/	/	1E	1D	1C	DP1	2E	2D
PIN	11	12	13	14	15	16	17	18	19	20
COM	2C	DP2	3E	3D	3C	DP3	4E	4D	4C	4B
PIN	21	22	23	24	25	26	27	28	29	30
COM	4A	4F	4G	3B	3A	3F	3G	COL.	2B	2A
PIN	31	32	33	34	35	36	37	38	39	40
COM	2F	2G	/	1B	1A	1F	1G	/	/	COM

TN TYPE

MODEL NO.	S5026A	S5026B	S5026C	S5026D	S5026E	S5026F	S5026G	S5026H	
VIEWING DIRECTION	6 O'CLOCK	6 O'CLOCK	6 O'CLOCK	6 O'CLOCK	12 O'CLOCK	12 O'CLOCK	12 O'CLOCK	12 O'CLOCK	
TEMPERATURE RANGE	OPERATE	0°C ~ 50°C	-20°C ~ 70°C	0°C ~ 50°C	-20°C ~ 70°C	0°C ~ 50°C	-20°C ~ 70°C	0°C ~ 50°C	-20°C ~ 70°C
	STORAGE	-10°C ~ 60°C	-30°C ~ 80°C	-10°C ~ 60°C	-30°C ~ 80°C	-10°C ~ 60°C	-30°C ~ 80°C	-10°C ~ 60°C	-30°C ~ 80°C
CONNECTOR	ZEBRA	ZEBRA	PIN	PIN	ZEBRA	ZEBRA	PIN	PIN	
DISPLAY TYPE	POSITIVE / NEGATIVE REFLECTIVE / TRANFLECTIVE / TRANSMISSIVE								

OPERATION VOLTAGE	3.0 V
DRIVING METHOD	STATIC

REV.	REVISION RECORD	DATE	STANDARD
00	1st ISSUE	08-AUG-08	CUSTOMER REF.
			SHEET 2 OF 2
			SCALE 3 : 1



APPROVAL	DRAFTING	CUSTOMER-SERVICE	ENGINEERING
APPROVED BY	Y.WEN		
DATE	09Aug,08		
DRAWN BY :	TIMMY	UNIT IN mm	OUR REF. 00
<b>S5026</b>			
<b>✠ CLOVER DISPLAY LIMITED</b>			